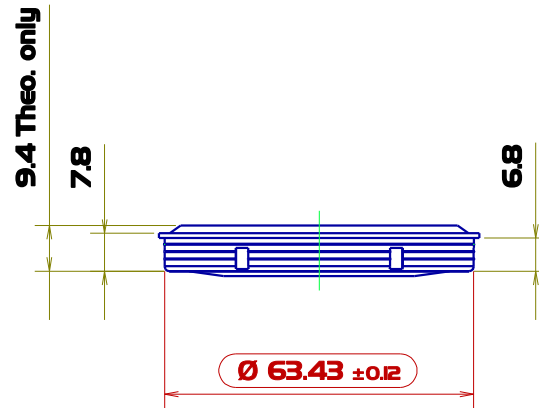
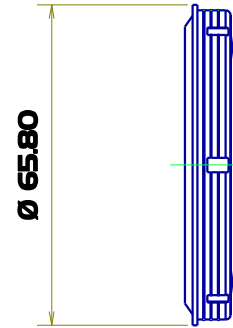
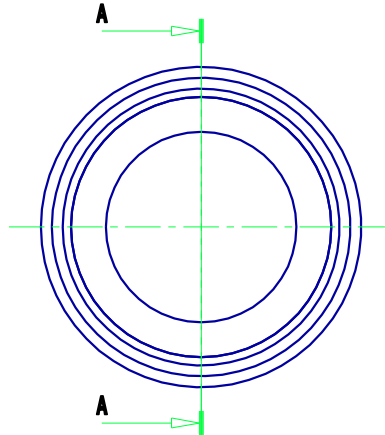
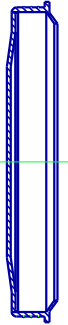
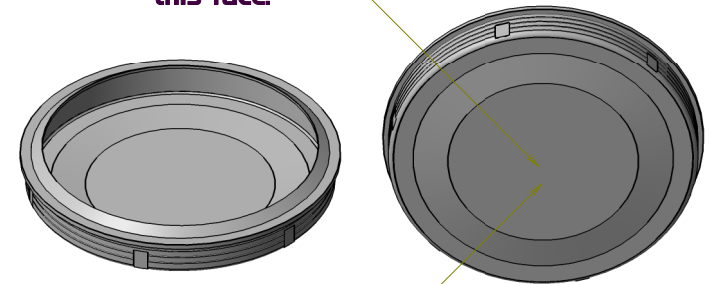


Sect. A-A



Cav I/D & SPI logo  
this face.



Feedpoint this face

Max height of gate vestige  
0.5mm from face

File location: CAD files on PlasmotecOI/ Original/ Plasmotec / ARG / PLAIO66A - 63.5mm ARG LP Plug

"This drawing represents our interpretation of your instructions and all sizes and tolerances should be carefully checked. We assume that the profile is an original design owned by you, and we shall, accordingly produce it in good faith. Should the profile infringe any patent, registered design or copyright owned by a third party, we shall assume that we are indemnified by you against all loss we may suffer arising from any claims by that third party. Your signature indicates acceptance of the drawing, and that our assumption is correct"

Drawn in accordance with BS308 Parts 1 & 2  
All dimensions in millimeters

Tolerance unless stated to be the larger of:

whole numbers (0) +/- 0.5 or 0.5%  
one decimal place (0.0) +/- 0.25 or 0.25%  
two decimal places (0.00) +/- 0.12 or 0.12%

FINISH **PSFOI - Fine Spark**

**PLASMOTEC LTD**

TITLE **63.5mm ARG LP Plug**

Generic Matl. **Polyethylene**

Drwn By **Andy**

Ch'd by

ISS

DATE

**Original**

REVISIONS

**25/11/10**

DRG.No

**PLAI066A**

**25/11/10**

DATE