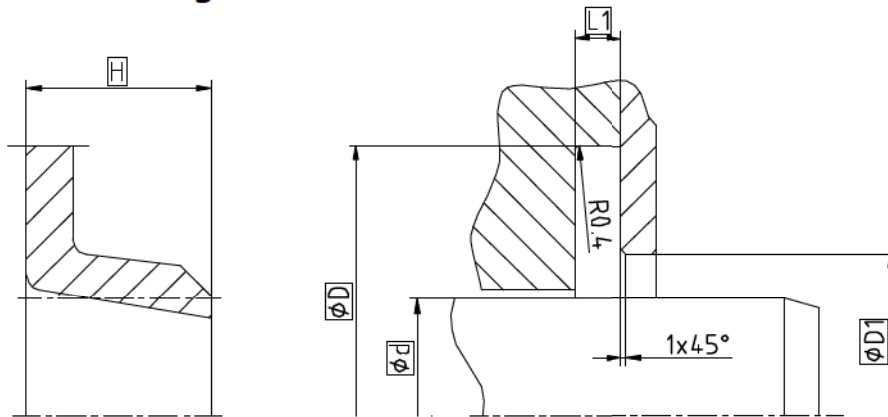


## Wipers

## Seal housing



Surface roughness	Rtmax	Ra
Sliding Surface	≤ 2,5 µm	0,1...0,5 µm
Bottom of groove	≤ 6,3 µm	≤ 1,6 µm
Groove face	≤ 15 µm	≤ 3 µm

Ordering dimensions...□

Bearing area: 50...95% and a cutting depth of 0,5xRz based on Cref = 0%

## Standard dimensions

minimum nominal inside diameter  $\text{Ø}d \geq 11\text{mm}$

This is not a standard profile and serves as a replacement for an existing installation space. New constructions should use standard profiles.

## Operating parameters

Sealing material	Temperature	max. speed
<b>ECOPUR®</b>	<b>-30 °C...+110 °C</b>	<b>4 m/s</b>
H-ECOPUR™	-20 °C...+110 °C	
S-ECOPUR™	-20 °C...+110 °C	5 m/s
T-ECOPUR™	-50 °C...+110 °C	4 m/s
X-ECOPUR™	-30 °C...+110 °C	4 m/s
XH-ECOPUR™	-20 °C...+110 °C	
XS-ECOPUR™	-20 °C...+110 °C	5 m/s
SKF ECORUBBER-1	-30 °C...+100 °C	4 m/s
SKF ECORUBBER-2	-20 °C...+200 °C	
SKF ECORUBBER-3	-50 °C...+150 °C	
SKF ECORUBBER-H	-25 °C...+150 °C	
SKF ECOFLAS	-10 °C...+200 °C	

The stated operation conditions represent general indications. It is recommended not to use all maximum values simultaneously. Surface speed limits apply only to the presence of adequate lubrication film.

## Ordering example

A08-B, d=50mm, D=70mm, D1=56mm, L1=3mm, H=12mm, ECOPUR®

**Wiper A08-B**  
Profile

**50 x 70/56 x 3/12**  
d x D/D1 x L1/H

**ECOPUR®**  
Sealing material