

Seal data sheet

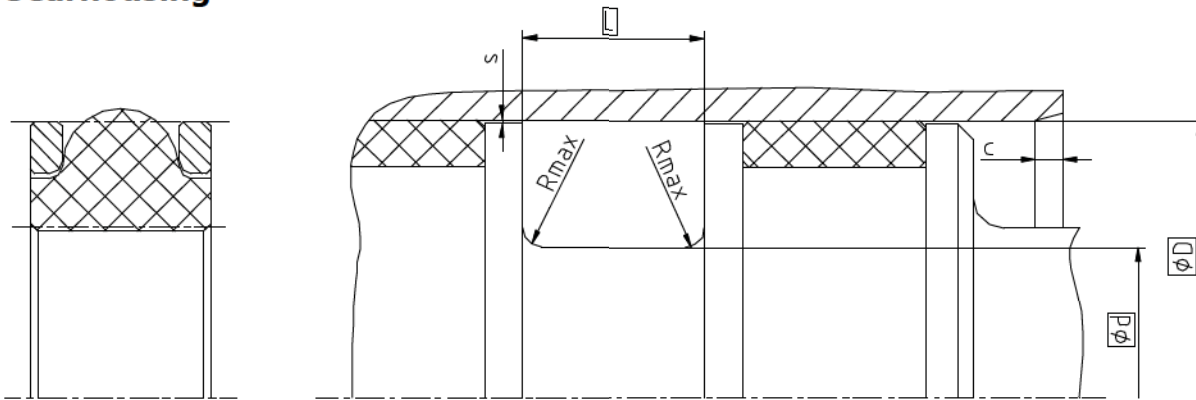
Piston seals

K20-R



2008-09

Seal housing



Surface roughness	Rtmax	Ra
Sliding Surface	≤ 2,5 µm	0,1...0,5 µm
Bottom of groove	≤ 6,3 µm	≤ 1,6 µm
Groove face	≤ 15 µm	≤ 3 µm

Ordering dimensions...□

Bearing area: 50...95% and a cutting depth of 0,5xRz based on Cref = 0%

Standard dimensions

ØD H9		Ød h9	L +0,25	Rmax ¹	c	s*
static	dynamic					
≥ 8 ... < 100	-	D - 2,70	4,5	0,2 0,4	2	H9/f8
≥ 100 ... < 150	≥ 8 ... < 20	D - 4,36	6,5		2	
≥ 150 ... < 250	≥ 20 ... < 40	D - 6,00	7,4		3	
≥ 250 ... < 400	≥ 40 ... < 100	D - 9,06	10,1		3,5	
≥ 400 ... < 600	≥ 100 ... < 300	D - 11,88	12,8		4,5	
≥ 600 ...	≥ 300 ... ≤ 600	D - 17,00	17,5		5	

* Extrusion gap applies to a temperature of 70 °C, higher temperatures require lower values.

¹ Ød ≤ 40mm: 0,2 ; > 40mm: 0,4

Operating parameters

Sealing material	Backup ring	Temperature	max. speed	max. pressure ¹
SKF ECORUBBER-1	SKF ECOTAL	-30 °C...+100 °C	0,5 m/s	700 bar (70 Mpa)
SKF ECORUBBER-H	SKF ECOMID ²	-25 °C...+100 °C		
SKF ECORUBBER-2	SKF ECOPA EK	-20 °C...+200 °C		
SKF ECORUBBER-H	SKF ECOFLON 2	-25 °C...+150 °C		

The stated operation conditions represent general indications. It is recommended not to use all maximum values simultaneously. Surface speed limits apply only to the presence of adequate lubrication film.

¹ Pressure ratings depend on the size of the extrusion gap.

² ≤ Ø260mm: SKF ECOTAL ; > Ø260mm: SKF ECOMID

Ordering example

K20-R, D=100mm, d=95,64mm, L=6,5mm, SKF ECORUBBER-1 / SKF ECOTAL

Piston Seal K20-R
Profile

100 x 95,64 x 6,5
D x d x L

SKF ECORUBBER-1 / SKF ECOTAL
Sealing material / Backup ring