

# Seal data sheet

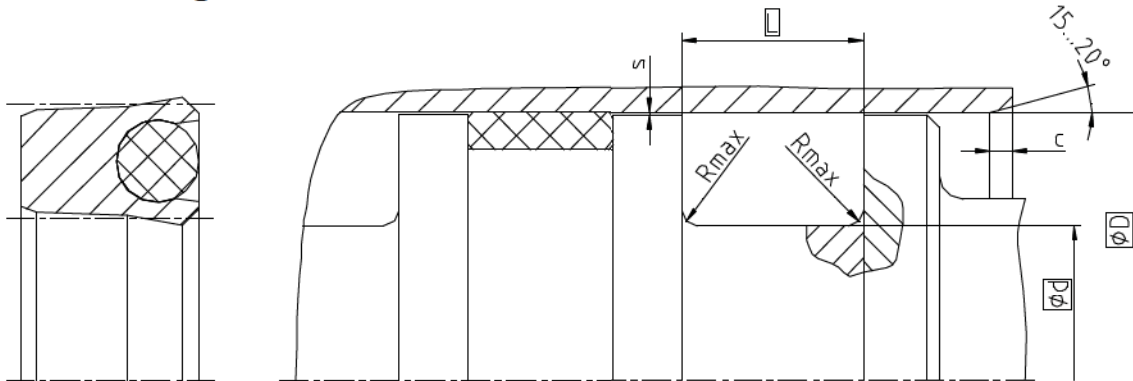
## Piston seals

### Seal housing

K07-F



2008-09



Surface roughness	Rtmax	Ra
Sliding Surface	≤ 2 μm	0,05...0,3 μm
Bottom of groove	≤ 6,3 μm	≤ 1,6 μm
Groove face	≤ 15 μm	≤ 3 μm

Ordering dimensions... □

Bearing area: 50...95% and a cutting depth of 0,5xRz based on Cref = 0%

### Standard dimensions

ØD H9	Ød h10	L +0,2	Rmax	c	max. radial extrusion gap s*			
					20 bar	100 bar	200 bar	400 bar
≥ 13 ... ≤ 25	D - 8	6,4	0,4	3,5	0,25	0,12	0,10	0,07
> 25 ... ≤ 50	D - 10	8,5	0,4	4,0	0,35	0,17	0,12	0,08
> 50 ... ≤ 75	D - 12	10,0	0,4	4,5	0,45	0,22	0,17	0,10
> 75 ... ≤ 150	D - 15	12,3	0,4	5,0	0,75	0,40	0,33	0,18
> 150 ... ≤ 300	D - 20	16,0	0,4	6,0	0,87	0,48	0,38	0,20
> 300 ... ≤ 500	D - 25	19,8	0,4	8,5	0,87	0,48	0,38	0,20
> 500 ... ≤ 600	D - 30	24,5	0,4	10,0	0,87	0,48	0,38	0,20

\* Extrusion gap applies to a temperature of 70 °C, higher temperatures require lower values.

### Operating parameters

Sealing material	Energizer	Temperature	max. speed	max. pressure <sup>1</sup>
SKF ECOFLON 1	MVQ70	-55 °C...+200 °C	<b>1,0 m/s</b>	<b>200 bar (20 MPa)</b>
SKF ECOFLON 2	NBR70	-30 °C...+100 °C		400 bar (40 MPa)
<b>SKF ECOFLON 3</b>	<b>FPM75</b>	<b>-20 °C...+200 °C</b>		
SKF ECOFLON 4	EPDM70	-50 °C...+150 °C		
SKF ECOWEAR 1000	NBR70	-30 °C...+80 °C	0,5 m/s	200 bar (20 MPa)
	FPM75	-20 °C...+80 °C		
	EPDM70	-50 °C...+80 °C		
	MVQ70	-55 °C...+80 °C		

The stated operation conditions represent general indications. It is recommended not to use all maximum values simultaneously. Surface speed limits apply only to the presence of adequate lubrication film.

<sup>1</sup> Pressure ratings depend on the size of the extrusion gap.

### Ordering example

K07-F, D=100mm, d=85mm, L=12,3mm, SKF ECOFLON 3 / FPM75

**Piston Seal K07-F**  
Profile

**100 x 85 x 12,3**  
D x d x L

**SKF ECOFLON 3 / FPM75**  
Sealing material / Energizer