

# Seal data sheet

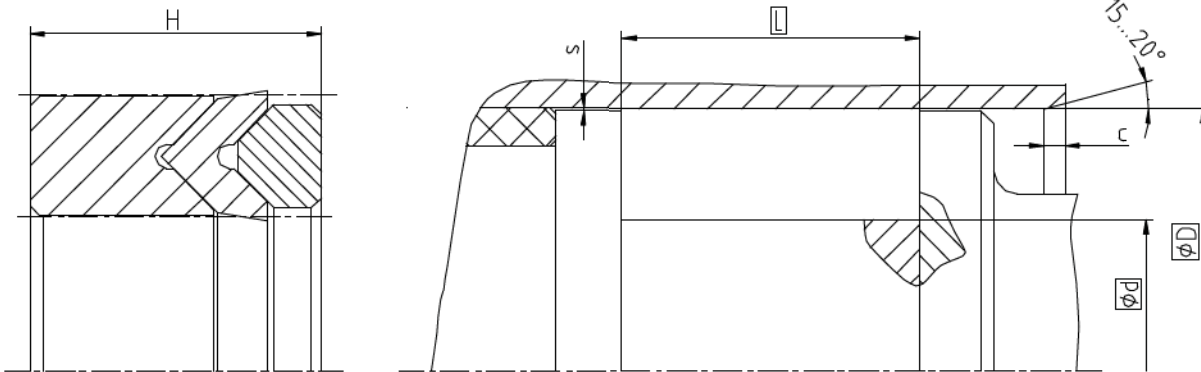
## Piston seals

K1012-M



2008-09

### Seal housing



Surface roughness	Rtmax	Ra
Sliding Surface	≤ 2,5 µm	0,1...0,5 µm
Bottom of groove	≤ 6,3 µm	≤ 1,6 µm
Groove face	≤ 15 µm	≤ 3 µm

Ordering dimensions...□

Bearing area: 50...95% and a cutting depth of 0,5xRz based on Cref = 0%

### Standard dimensions

ØD H9	Ød h10	L +0,2	Rmax	c	s*
- ... < 40	D - 10	9,5	0,4	4,0	0,25
≥ 40 ... < 75	D - 15	12,3	0,4	5,0	0,37
≥ 75 ... < 150	D - 20	21,2	0,4	6,0	0,50
≥ 150 ... < 200	D - 25	25,8	0,4	8,5	0,62
≥ 200 ... < 300	D - 30	33,5	0,4	10,0	0,75
≥ 300	D - 40	41,5	0,4	13,0	1,00

\* Extrusion gap applies to a temperature of 70 °C, higher temperatures require lower values.

### Operating parameters

Backup ring K10-A	Chevron K11-T	Pressure ring K12-T	Temperature	max. speed	max. pressure <sup>1</sup>
SKF ECOTAL SKF ECOMID <sup>2</sup>	ECOPUR <sup>®</sup>	X-ECOPUR <sup>™</sup>	-30 °C...+100 °C	0,5 m/s	500 bar (50 MPa)
	H-ECOPUR <sup>™</sup>	XH-ECOPUR <sup>™</sup>	-20 °C...+100 °C	0,5 m/s	
	S-ECOPUR <sup>™</sup>	XS-ECOPUR <sup>™</sup>	-30 °C...+100 °C	0,7 m/s	
	G-ECOPUR <sup>™</sup>	G-ECOPUR 54D <sup>™</sup>	-30 °C...+100 °C	0,5 m/s	
SKF ECOTAL SKF ECOMID <sup>2</sup>	ECOPUR <sup>®</sup>	SKF ECOTAL SKF ECOMID <sup>2</sup>	-30 °C...+100 °C	0,5 m/s	500 bar (50 MPa)
	H-ECOPUR <sup>™</sup>		-20 °C...+100 °C	0,5 m/s	
	S-ECOPUR <sup>™</sup>		-30 °C...+100 °C	0,7 m/s	
	G-ECOPUR <sup>™</sup>		-30 °C...+100 °C	0,5 m/s	
SKF ECOFLON 2	SKF ECORUBBER-1	SKF ECOFLON 2	-30 °C...+100 °C	0,5 m/s	250 bar (25 MPa)
	SKF ECORUBBER-2		-20 °C...+200 °C	0,5 m/s	
	SKF ECORUBBER-3		-50 °C...+150 °C	0,5 m/s	
	SKF ECORUBBER-H		-25 °C...+150 °C	0,5 m/s	
	SKF ECOFLAS		-10 °C...+200 °C	0,5 m/s	

The stated operation conditions represent general indications. It is recommended not to use all maximum values simultaneously. Surface speed limits apply only to the presence of adequate lubrication film.

<sup>1</sup> Pressure ratings depend on the size of the extrusion gap.

<sup>2</sup> ≤ Ø260mm: SKF ECOTAL ; > Ø260mm: SKF ECOMID

### Ordering example

K1012-M, D=100mm, d=80mm, L=21,2mm, SKF ECOTAL / ECOPUR<sup>®</sup> / X-ECOPUR<sup>™</sup>

**Piston Seal K1012-M**

Profile

**100 x 80 x 21,2**

D x d x L

**SKF ECOTAL / ECOPUR<sup>®</sup> / X-ECOPUR<sup>™</sup>**

Backup ring / Chevron / Pressure ring

ECONOMOS

The contents of this data sheet remain the property of SKF Economos GmbH. Duplication, whole or in parts, only upon prior approval. SKF Economos GmbH is unable to guarantee and/or take any responsibility, obligation or liability whatsoever in connection with this information.