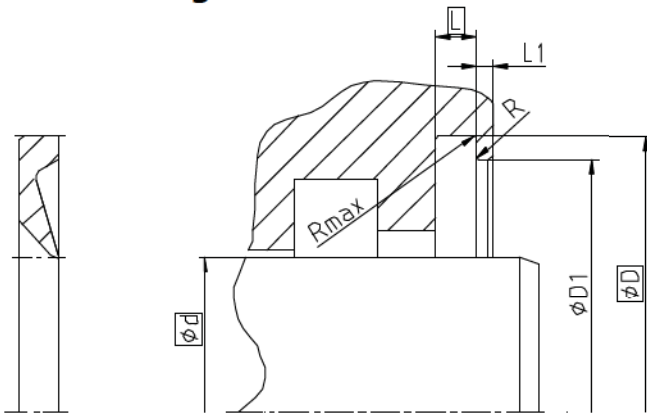


Wipers

Seal housing



Surface roughness	Rtmax	Ra
Sliding Surface	≤ 2,5 μm	0,1...0,5 μm
Bottom of groove	≤ 6,3 μm	≤ 1,6 μm
Groove face	≤ 15 μm	≤ 3 μm

Ordering dimensions...□

Bearing area: 50...95% and a cutting depth of 0,5xRz based on Cref = 0%

Standard dimensions

Ød f8		ØD H9	ØD1 +0,1	L +0,2	Rmax
≥ 5	... ≤ 50	d + 10	d + 9	2	0,4
> 50	... ≤ 150	d + 15	d + 14	2,5	
> 150	... ≤ 600	d + 20	d + 18,5	3	

Operating parameters

Sealing material	Temperature	max. speed
X-ECOPUR™	-30 °C...+110 °C	4 m/s
XH-ECOPUR™	-20 °C...+110 °C	
XS-ECOPUR™	-20 °C...+110 °C	5 m/s
SKF ECOTAL SKF ECOMID ¹	-40 °C...+80 °C	4 m/s
SKF ECOPAEK	-60 °C...+110 °C	5 m/s
SKF ECOWEAR 1000	-200 °C...+80 °C	4 m/s

The stated operation conditions represent general indications. It is recommended not to use all maximum values simultaneously. Surface speed limits apply only to the presence of adequate lubrication film.

¹ ≤ Ø260mm: SKF ECOTAL ; > Ø260mm: SKF ECOMID

Ordering example

A13-A, d=60mm, D=75mm, D1=74mm, L=2,5mm, SKF ECOTAL

Wiper A13-A
Profile

60 x 75/74 x 2,5
d x D/D1 x L

SKF ECOTAL
Sealing material