



A Tyco International Company

HAND PORTABLE FIRE EXTINGUISHERS SPECIFICATION AND SUBMITTAL SHEET

Customer Name: _____

Date: _____

Item: _____









Project: _____

Model Number(s): _____

Quantity: _____

Architect: _____

Submitted by/Approved by: _____

	PART NO. UL (ULC)	TYPE	MODEL NO.	AGENT CAPACITY	RATING UL/ULC	MAXIMUM EFFECTIVE RANGE	APPROX. DISCHARGE TIME	CHARGED WEIGHT	HEIGHT	WIDTH	DEPTH (DIA.)	STANDARD BRACKET PART NO.
	429101 (429586)	SENTRY ABC	A02VB*	2.5 lb (1.1 kg)	1-A:10-B:C	11 ft (3.4 m)	9 seconds	5 lb (2.3 kg)	14.25 in. (362 mm)	5.5 in. (140 mm)	3.4 in. (86 mm)	24610
	434732 (434753)	SENTRY ABC	AA05-1	5 lb (2.3 kg)	3-A:40-B:C	14 ft (4.3 m)	14 seconds	9.9 lb (4.5 kg)	17 in. (432 mm)	8.5 in. (216 mm)	4.4 in. (113 mm)	429146**
	434735 (434756)	SENTRY ABC	AA05VB-1*	5 lb (2.3 kg)	3-A:40-B:C	14 ft (4.3 m)	14 seconds	9.9 lb (4.5 kg)	17 in. (432 mm)	8.5 in. (216 mm)	4.4 in. (113 mm)	429146
	429001 (429587)	SENTRY ABC	A05	5 lb (2.3 kg)	3-A:10-B:C	14 ft (4.3 m)	14 seconds	9.9 lb (4.5 kg)	17 in. (432 mm)	8.5 in. (216 mm)	4.4 in. (113 mm)	429146**
	429102 (429588)	SENTRY ABC	A05VB*	5 lb (2.3 kg)	3-A:10-B:C	14 ft (4.3 m)	14 seconds	9.9 lb (4.5 kg)	17 in. (432 mm)	8.5 in. (216 mm)	4.4 in. (113 mm)	429146
	429008	SENTRY BC	PK05	5 lb (2.3 kg)	60-B:C	16 ft (4.9 m)	17 seconds	9.9 lb (4.5 kg)	17 in. (432 mm)	8.5 in. (216 mm)	4.4 in. (113 mm)	429146**
	429014	SENTRY BC	C05	5 lb (2.3 kg)	40-B:C	16 ft (4.9 m)	14 seconds	9.9 lb (4.5 kg)	17 in. (432 mm)	8.5 in. (216 mm)	4.4 in. (113 mm)	429146**
	436500 (436509)	SENTRY ABC	AA10S	10 lbs (4.54 kg)	4-A:80-B:C	20 ft (6.1 m)	21 seconds	17 lb (7.7 kg)	20.5 in. (520 mm)	8.25 in. (210 mm)	5.25 in. (134 mm)	435793
	436494 (436791)	SENTRY BC	PK10S	10 lbs (4.54 kg)	80-B:C	20 ft (6.1 m)	22 seconds	17.9 lb (8.1 kg)	20.5 in. (520 mm)	8.25 in. (210 mm)	5.25 in. (134 mm)	435793
	436497 (436891)	SENTRY BC	C10S	10 lbs (4.54 kg)	60-B:C	16 ft (4.9 m)	19 seconds	17.9 lb (8.1 kg)	20.5 in. (520 mm)	8.25 in. (210 mm)	5.25 in. (134 mm)	435793
	434747 (434765)	SENTRY ABC	AA20-1	20 lb (9.1 kg)	10-A:120-B:C	22 ft (6.7 m)	28 seconds	32.1 lb (14.6 kg)	22.5 in. (572 mm)	9.5 in. (241 mm)	7.2 in. (183 mm)	30937**
	429011 (434276)	SENTRY BC	PK20	20 lb (9.1 kg)	120-B:C	22 ft (6.7 m)	30 seconds	32.1 lb (14.6 kg)	22.5 in. (572 mm)	9.5 in. (241 mm)	7.2 in. (183 mm)	30937**
	429017	SENTRY BC	C20	20 lb (9.1 kg)	80-B:C	22 ft (6.7 m)	21 seconds	32.1 lb (14.6 kg)	22.5 in. (572 mm)	9.5 in. (241 mm)	7.2 in. (183 mm)	30937**
	431569	SENTRY CO2	CD05-1	5 lb (2.3 kg)	5-B:C	6 ft (1.8 m)	10 seconds	16.75 lb (7.6 kg)	19.75 in. (502 mm)	7.4 in. (187 mm)	6.3 in. (160 mm)	25419**
	431553 (431557)	SENTRY CO2	CD05A-1	5 lb (2.3 kg)	5-B:C	6 ft (1.8 m)	10 seconds	13.5 lb (6.1 kg)	19.0 in. (483 mm)	7.25 in. (184 mm)	5.3 in. (136 mm)	25419**
	431570	SENTRY CO2	CD10-1	10 lb (4.5 kg)	10-B:C	6 ft (1.8 m)	10 seconds	34 lb (15.4 kg)	22.0 in. (558 mm)	10.9 in. (276 mm)	6.9 in. (175 mm)	79456**
	431554 (431558)	SENTRY CO2	CD10A-1	10 lb (4.5 kg)	10-B:C	6 ft (1.8 m)	10 seconds	26.75 lb (12.1 kg)	21.25 in. (540 mm)	10.9 in. (278 mm)	7 in. (178 mm)	79456**
	431571	SENTRY CO2	CD15-1	15 lb (6.8 kg)	10-B:C	6 ft (1.8 m)	11 seconds	44.5 lb (20.2 kg)	28.75 in. (730 mm)	10.9 in. (276 mm)	6.9 in. (175 mm)	79456**
	431555 (431559)	SENTRY CO2	CD15A-1	15 lb (6.8 kg)	10-B:C	6 ft (1.8 m)	11 seconds	35.75 lb (16.2 kg)	28.0 in. (711 mm)	10.9 in. (278 mm)	7 in. (178 mm)	79456**
	431572	SENTRY CO2	CD20-1	20 lb (9.1 kg)	10-B:C	6 ft (1.8 m)	13 seconds	53.5 lb (24.3 kg)	28.75 in. (730 mm)	11.9 in. (302 mm)	7.9 in. (201 mm)	25420**
	431556 (431560)	SENTRY CO2	CD20A-1	20 lb (9.1 kg)	10-B:C	6 ft (1.8 m)	13 seconds	46.75 lb (21.2 kg)	28.0 in. (711 mm)	12 in. (305 mm)	8.1 in. (206 mm)	25420**
	429107 (429596)	CLEANGUARD (FE-36)	FE02VB*	2.5 lb (1.1 kg)	2-B:C	10 ft (3.1 m)	9.0 seconds	5.0 lb (2.3 kg)	14.25 in. (362 mm)	5.75 in. (146 mm)	3.4 in. (86 mm)	24610
	429020 (429597)	CLEANGUARD (FE-36)	FE05	4.75 lb (2.2 kg)	5-B:C	12 ft (3.7 m)	8.6 seconds	9.5 lb (4.3 kg)	17 in. (432 mm)	8.5 in. (216 mm)	4.4 in. (113 mm)	429146**
	429021 (429598)	CLEANGUARD (FE-36)	FE09	9.5 lb (4.3 kg)	1-A:10-B:C	16 ft (4.9 m)	9.5 seconds	21.8 lb (9.9 kg)	18.75 in. (476 mm)	9 in. (229 mm)	7 in. (178 mm)	422737**
	429022 (429599)	CLEANGUARD (FE-36)	FE13	13.25 lb (6 kg)	2-A:10-B:C	16 ft (4.9 m)	13.5 seconds	25.6 lb (11.6 kg)	22.5 in. (572 mm)	9.5 in. (241 mm)	7 in. (178 mm)	30937**
	432893 (433214)	CLEANGUARD (FE-36)	FE13-NM (Non-magnetic)	13.25 lb (6 kg)	1-A:10-B:C	16 ft (4.9 m)	13.5 seconds	20 lb (9.1 kg)	25.5 in. (648 mm)	9 in. (229 mm)	7 in. (178 mm)	432964 (Hanger Hook Only)
	432843 (432848)	K-GUARD (K-Class)	K01-2	1.6 gal (6 L)	1-A:K	10 ft (3.1 m)	45 seconds	23.4 lb (10.6 kg)	21.25 in. (540 mm)	9.5 in. (241 mm)	7 in. (178 mm)	430056 (Hanger Hook Only)
	430847	SENTRY Water	W02-1	2.5 gal (9.46 L)	2-A	35 ft (10.7 m)	50 seconds	28 lb (12.7 kg)	25.5 in. (648 mm)	9 in. (229 mm)	7 in. (178 mm)	30937**

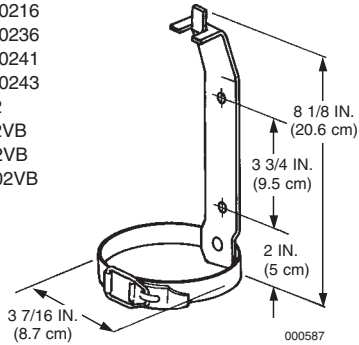
* VB: Includes Vehicle Bracket

** Order Vehicle Bracket Separately

Fire Extinguisher Brackets

Part No. 24610

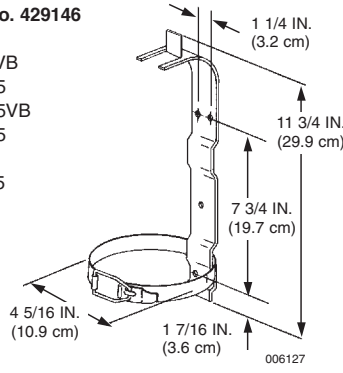
- SY-0216
- SY-0236
- SY-0241
- SY-0243
- A02
- A02VB
- C02VB
- FE02VB



HOLE SIZE: 0.3 IN. (0.8 cm)

Part No. 429146

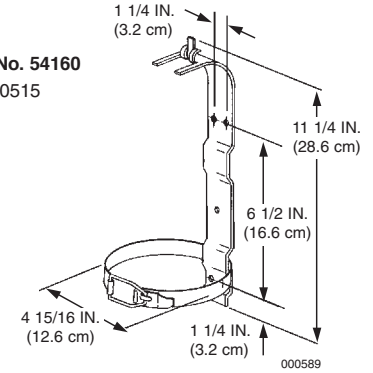
- A05
- A05VB
- AA05
- AA05VB
- PK05
- C05
- FE05



006127

Part No. 54160

- SY-0515

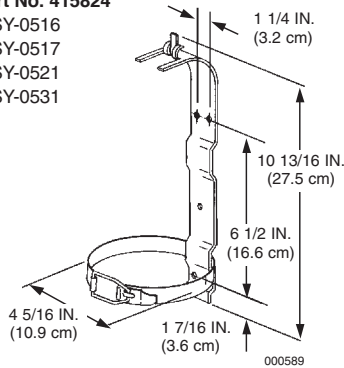


000589

HOLE SIZE: 1/4 IN. (0.6 cm)

Part No. 415824

- SY-0516
- SY-0517
- SY-0521
- SY-0531

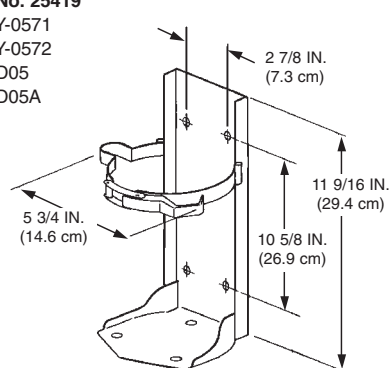


000589

HOLE SIZE: 1/4 IN. (0.6 cm)

Part No. 25419

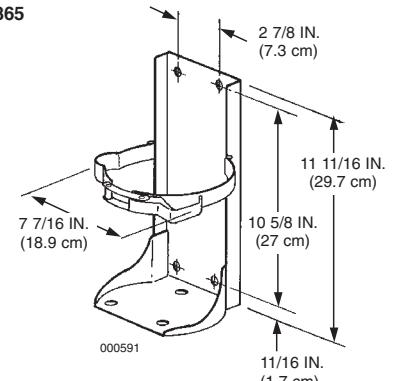
- SY-0571
- SY-0572
- CD05
- CD05A



000592

Part No. 30865

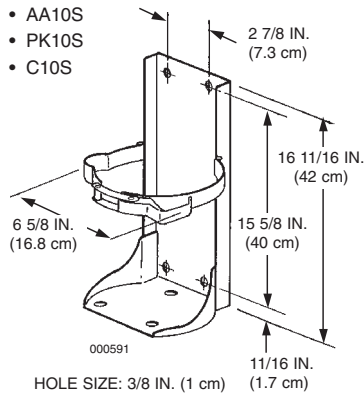
- SY-1013
- SY-1014
- SY-1023
- SY-1024
- SY-1033
- SY-1034
- SY-1441
- A10H
- A10I
- PK10
- PK10I
- C10
- C10I



HOLE SIZE: 3/8 IN. (1 cm)

Part No. 435793

- AA10S
- PK10S
- C10S

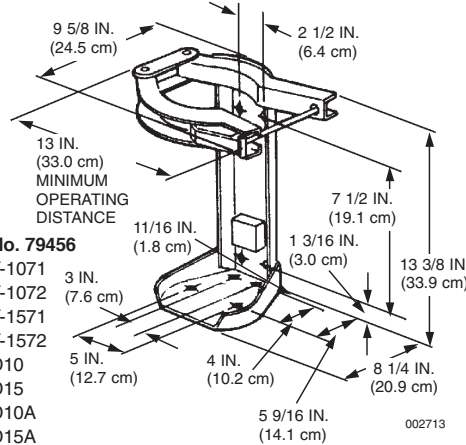


000591

HOLE SIZE: 3/8 IN. (1 cm)

Part No. 79456

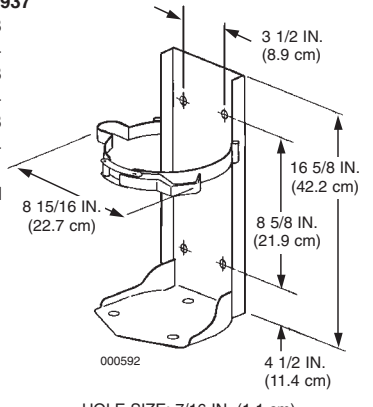
- SY-1071
- SY-1072
- SY-1571
- SY-1572
- CD10
- CD15
- CD10A
- CD15A



002713

Part No. 30937

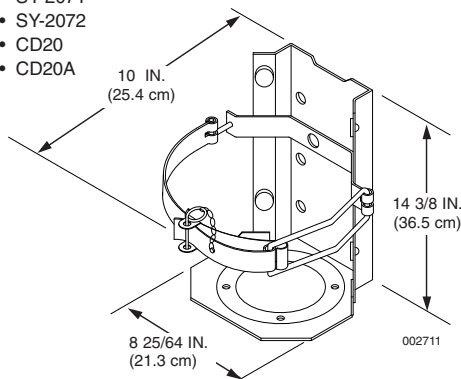
- SY-2013
- SY-2014
- SY-2023
- SY-2024
- SY-2033
- SY-2034
- SY-1741
- CA-1481
- AA20
- A20I
- PK20
- PK20I
- C20
- C20I
- FE13
- W02-1



HOLE SIZE: 7/16 IN. (1.1 cm)

Part No. 25420

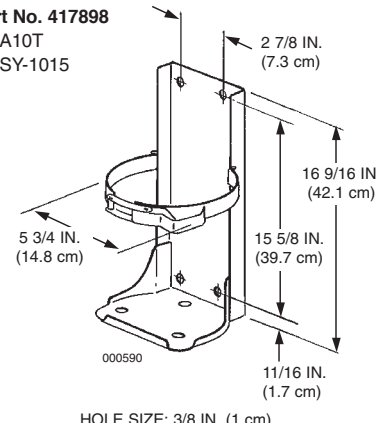
- SY-2071
- SY-2072
- CD20
- CD20A



002711

Part No. 417898

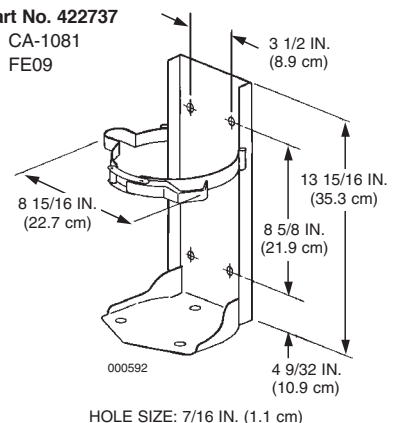
- A10T
- SY-1015



HOLE SIZE: 3/8 IN. (1 cm)

Part No. 422737

- CA-1081
- FE09



HOLE SIZE: 7/16 IN. (1.1 cm)