

Pressure Reducing/ Pressure Sustaining Plastic Pilot



Hydraulically operated designed for green house irrigation system as well as turf and field crop irrigation.

Technical Specifications

- Ports connection:
3 Way Pilot Port: Female threaded 1/8" -28 BSP or 1/8"-27NPT
- Pressure Adjustment Range:
Blue Body: 0.5 -2.5 kg/cm² (7 - 36Psi)
Red Body: 0.7 - 5.5 kg/cm² (7 - 80Psi)
- Function: Universal (Pressure Reducing, Pressure sustaining or relief)
- Max. Operating Pressure: 10 Bar
- Suitable for Valve Sizes:20mm to 150mm (3/4" to 6")

Pilot valve Pressure Reducing Ports

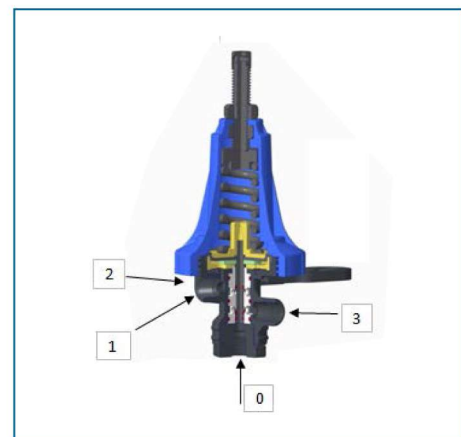
Port	Pressure Reducing
1	Downstream
2	Vent
3	Control Chamber
0	Pressure/ Upstream

Pilot valve Pressure Sustaining/ Pressure Relief Ports

Port	Pressure Sustaining
1 and 2	upstream
3	Control Chamber
0	Vent

Features

- Simple and robust design, only 4 parts involved.
- Light in weight for easy installation and maintenance.
- Glass Reinforced plastic Base & Body for strength.
- Pilot designed for quick sensing of line pressure and work for pressure reducing, pressure sustaining/ Pressure relief.
- Very less down time.
- Marking for correct installation of hydraulic valve.
- Compatible with all hydraulic valves available in market.
- Color Coding Body for identification of Pressure adjusting range.
- UV & chemical resistant for long life.
- PE/PVC tubing & accessories are compatible for high pressure.



Pressure Reducing/ Pressure Sustaining Plastic Pilot

Parts List & Material			
Part No.	Part Name	Material	Qty.
1	Pilot Base	Reinforced PA	1
2	Pilot Base Cap	Reinforced PA	1
3	Stem Cylinder	Teflon	1
4	Stem Cylinder O-ring	NBR	3
5	Stem	Stainless Steel	1
6	Stem O-ring	NBR	3
7	Diaphragm Seat	Acetal	1
8	Diaphragm	NBR	1
9	Actuator	Acetal	1
10	Spring	Alloy Special Steel	1
11	Spring Button	Stainless Steel	1
12	Nut	Stainless Steel	2
13	Adjusting Screw	Stainless Steel	1
14	End Cap	PA	1

