

Pressure Reducing/ Pressure Sustaining or Relief Metal Pilot



Hydraulically operated designed for green house irrigation system as well as turf and field crop irrigation.

Technical Specifications

- Funcion: Universal (Pressure Reducing, Sustaining or Relief)
 - Operating System: 3 -way
 - Ports connection: 1/4" BSP/ NPT Female Threaded
 - 3 Way Pilot Port: Female threaded 1/4" -19 BSP or 1/4"-18NPT
 - 3 different Pilot available with Max. Operating & Pressure adjustment range
 - Identification of Pilot
- | Identification of Pilot | Adjustment | Max. Operating |
|-------------------------|---------------|----------------|
| Natural color Spring | 0.7 - 6.5 bar | 16 bar |
| Blue Color Spring | 1 -10 bar | 20 bar |
| Red Color Spring | 1 - 16bar | 20 bar |
- Suitable for valve sizes 40mm - 150mm (1.5" to 6")

Features

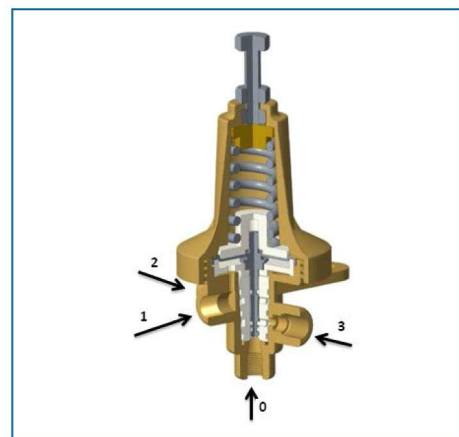
- Simple and robust design, only 4 parts involved.
- Light in weight for easy installation and maintenance.
- Brass Base and Cap for durability and corrosion resistant.
- Pilot designed for quick sensing of line pressure and work for pressure reducing, pressure sustaining/ Pressure relief.
- Very less down time.
- Marking for correct installation of hydraulic valve.
- Compatible with all hydraulic valves available in market.

Pilot valve Pressure Reducing Ports

Port	Pressure Reducing
1	Downstream
2	Vent
3	Control Chamber
0	Pressure/ Upstream

Pilot valve Pressure Sustaining/ Pressure Relief Ports

Port	Pressure Sustaining
1 and 2	upstream
3	Control Chamber
0	Vent



Pressure Reducing/ Pressure Sustaining or Relief Metal Pilot

Parts List & Material			
Part No.	Part Name	Material	Qty.
1	Pilot Base	Brass	1
2	Pilot Base Cap	Brass	1
3	Stem Cylinder	Teflon	1
4	Stem Cylinder O-ring	NBR	3
5	Stem	Stainless Steel	1
6	Stem O-ring	NBR	3
7	Diaphragm Seat	Brass	1
8	Diaphragm	NBR	1
9	Actuator	Brass	1
10	Spring	Alloy Special Steel	1
11	Spring Button	Stainless Steel	1
12	Nut	Stainless Steel	2
13	Adjusting Screw	Stainless Steel	1

