



*we*innovate cooking

KITCHENS DIAMANTE 90

GAS RANGES

Model

D96/10CGFL

Code

CR0995189

General characteristics

- Stainless steel outer coatings and feet.
- Worktops made of 2 mm thick, brushed AISI 304 stainless steel.
- Adjustable worktop height from 840 to 900 mm.
- Contoured control panels with controls tilted towards the operator.
- Large knobs that do not protrude from the machine structure.
- Range modularity: 200-400-600-800-1200.
- Simple and effective coupling system.
- Appliances set up for the plinth.
- Vast accessory range.
- Appliances in compliance with CE standards.

6-BURNER GAS RANGE ON GAS WIDE OVEN



Technical/functional characteristics

Outer casing and feet in stainless steel. Adjustable worktop height, ranging from 840 to 900 mm. Shaped cooker control panel with knobs slanted towards the operator. Nickel-plated top burners with stable flame. Thermocouple safety valve with pilot light. Acid-resistant black enamelled cast iron burner grates with long spokes suitable for supporting small pots and pans. Stainless steel drip bowls. oven heating with stainless steel burner with self-stabilizing flame, and thermostatically-controlled temperature range from 100 to 300°C.

Technical Data

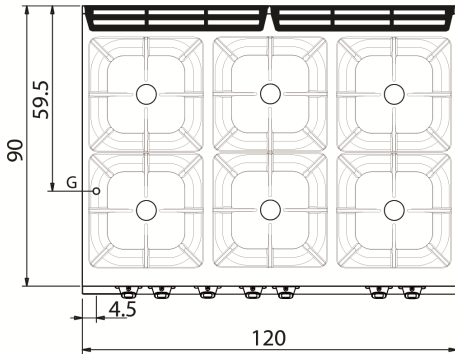
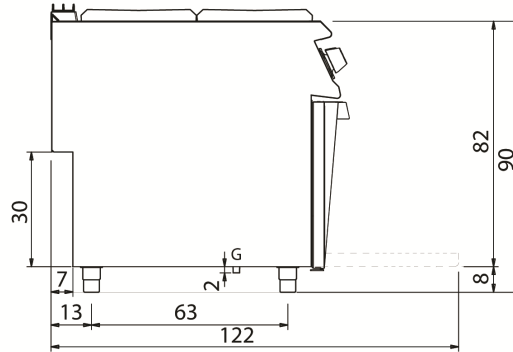
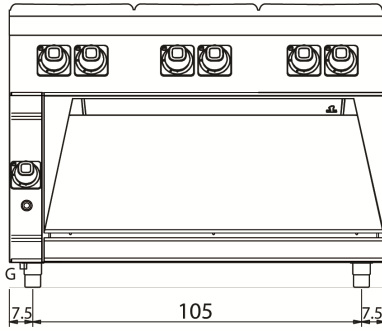
Model	D96/10CGFL
Width (mm)	1.200,00
Depth (mm)	900,00
Height (mm)	900,00
VOLUME	1,50
WEIGHT	248,00
SUPPLY	GAS
Gas power	44.3
Electric power	
Internal ovens dimension	
OVEN CAPACITY	
Plate dimensions (mm)	
TANK DIMENSIONS	
Tank capacity (l)	

GAS RANGES

Model
D96/10CGFL

Code
CR0995189

D96/10 CGFL



KEY

- E power supply
- G gas connection
- H2O water inlet
- S water outlet

Connection	Power	Diameter	Supply
Gas connecton	44.3	1/2"	
Electric connecton			
Cold water connecton			
Hot water connecton			
Cold soft water connecton			
Drain (∅)			
2° Drain (∅)			