



*we*innovate cooking

KITCHENS DIAMANTE 90

ELECTRIC RANGES

Model

D94/10CEEPQ

Code

CR0995659

General characteristics

- Stainless steel outer coatings and feet.
- Worktops made of 2 mm thick, brushed AISI 304 stainless steel.
- Adjustable worktop height from 840 to 900 mm.
- Contoured control panels with controls tilted towards the operator.
- Large knobs that do not protrude from the machine structure.
- Range modularity: 200-400-600-800-1200.
- Simple and effective coupling system.
- Appliances set up for the plinth.
- Vast accessory range.
- Appliances in compliance with CE standards.

4-SQUARE-HOTPLATE ELECTRIC RANGE ON ELECTRIC OVEN



Technical/functional characteristics

- Outer casing and feet in stainless steel.
- Adjustable worktop height, ranging from 840 to 900 mm.
- Shaped cooker control panel with knobs slanted towards the operator.
- Square plate version 220x220 and 2.6 kW.
- 7-position selector switch to adjust and regulate heating.
- Electric oven with independently regulated armoured heating elements on oven roof and to the rear.
- Thermostatically-controlled temperature range from 50 to 300°C.
- GN 2/1 oven.

Technical Data

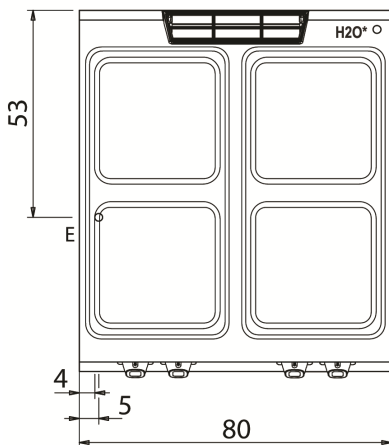
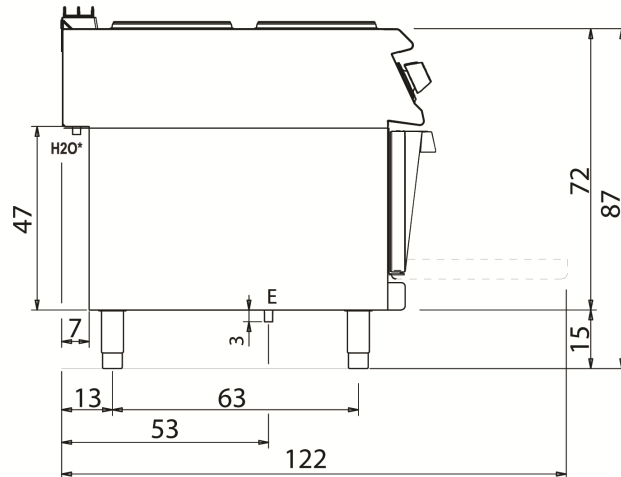
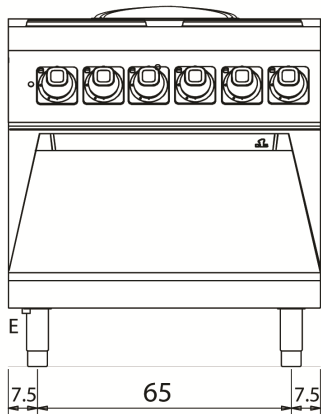
Model	D94/10CEEPQ
Width (mm)	800,00
Depth (mm)	900,00
Height (mm)	870,00
VOLUME	1,10
WEIGHT	175,00
SUPPLY	EL
Gas power	
Electric power	22
Internal ovens dimension	575x700x300h
OVEN CAPACITY	GN2/1
Plate dimensions (mm)	
TANK DIMENSIONS	
Tank capacity (l)	

ELECTRIC RANGES

Model
D94/10CEEPQ

Code
CR0995659

D94/10 CEEPQ



KEY

- E power supply
- G gas connection
- H20 water inlet
- S water outlet

Connection	Power	Diameter	Supply
Gas connecton			
Electric connecton	22	400	
Cold water connecton			0
Hot water connecton			
Cold soft water connecton			
Drain (∅)			
2° Drain (∅)			