



*we*innovate cooking

KITCHENS DIAMANTE 70

GRIDDLE PLATES

Model

D72/10TFTG

Code

CR0993829

General characteristics

- Stainless steel outer coatings and feet.
- Worktops made of 1,5 mm thick, brushed AISI 304 stainless steel.
- Adjustable worktop height from 840 to 900 mm.
- Contoured control panels with controls tilted towards the operator.
- Large knobs that do not protrude from the machine structure.
- Range modularity: 200-400-600-800-1200.
- Simple and effective coupling system.
- Appliances set up for the plinth.
- Vast accessory range.
- Appliances in compliance with CE standards.

GAS GRIDDLE WITH SMOOTH PLATE TOP



Technical/functional characteristics

- Outer casing and feet in stainless steel.
- Adjustable worktop height, ranging from 840 to 900 mm.
- Recessed hot plate, 40 mm lower than worktop surface.
- Enamelled hot plate surface smooth.
- Plate slants 10mm forwards.
- Large grease drawer.
- Burner with self-stabilizing flame.
- Temperature adjustment and regulation with safety tap and thermocouple (200-400°C) or thermostat safety valve with thermocouple (110-280°C).

Technical Data

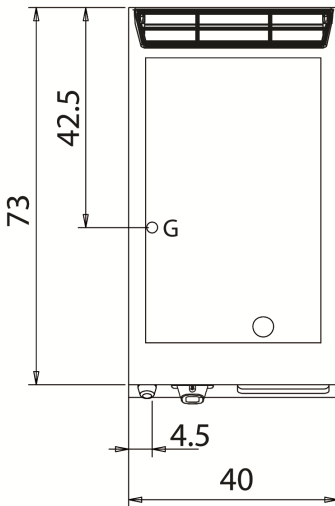
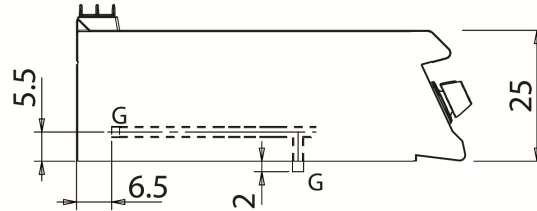
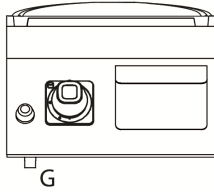
| | |
|--------------------------|--------------|
| Model | D72/10TFTG |
| Width (mm) | 400,00 |
| Depth (mm) | 730,00 |
| Height (mm) | 250,00 |
| VOLUME | 0,16 |
| WEIGHT | 47,00 |
| SUPPLY | GAS |
| Gas power | 6 |
| Electric power | |
| Internal ovens dimension | |
| OVEN CAPACITY | |
| Plate dimensions (mm) | 335x530x14.5 |
| TANK DIMENSIONS | |
| Tank capacity (l) | |

GRIDDLE PLATES

Model
D72/10TFTG

Code
CR0993829

D72/10 TFTG



KEY

- E power supply
- G gas connection
- H2O water inlet
- S water outlet

| Connection | Power | Diameter | Supply |
|---------------------------|-------|----------|--------|
| Gas connecton | 6 | 1/2" | |
| Electric connecton | | | |
| Cold water connecton | | | |
| Hot water connecton | | | |
| Cold soft water connecton | | | |
| Drain (∅) | | | |
| 2° Drain (∅) | | | |