



*we*innovate cooking

KITCHENS DIAMANTE 70

GRIDDLE PLATES

Model

D74/10FTGR

Code

CR0993959

General characteristics

- Stainless steel outer coatings and feet.
- Worktops made of 1,5 mm thick, brushed AISI 304 stainless steel.
- Adjustable worktop height from 840 to 900 mm.
- Contoured control panels with controls tilted towards the operator.
- Large knobs that do not protrude from the machine structure.
- Range modularity: 200-400-600-800-1200.
- Simple and effective coupling system.
- Appliances set up for the plinth.
- Vast accessory range.
- Appliances in compliance with CE standards.

GAS GRIDDLE WITH GROOVED PLATE ON OPEN CUPBOARD



Technical/functional characteristics

- Outer casing and feet in stainless steel.
- Adjustable worktop height, ranging from 840 to 900 mm.
- Recessed hot plate, 40 mm lower than worktop surface.
- Enamelled hot plate surface ribbed.
- Plate slants 10mm forwards.
- Large grease drawer.
- Burner with self-stabilizing flame.
- Temperature adjustment and regulation with safety tap and thermocouple (200-400°C) or thermostat safety valve with thermocouple (110-280°C).

Technical Data

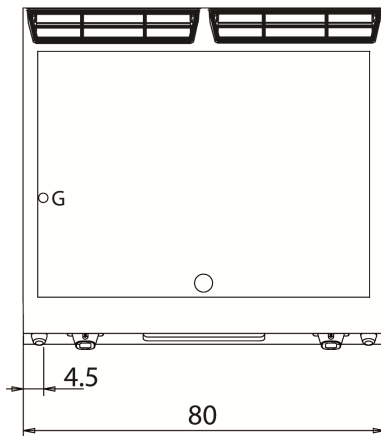
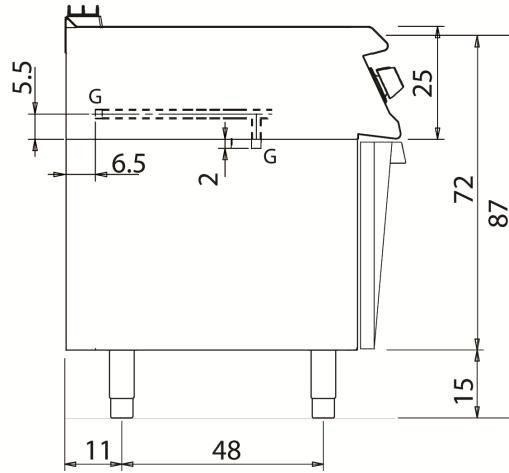
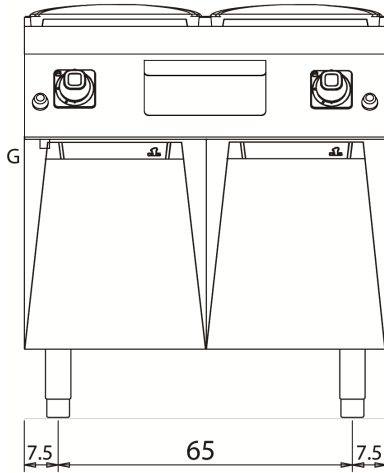
Model	D74/10FTGR
Width (mm)	800,00
Depth (mm)	730,00
Height (mm)	870,00
VOLUME	0,80
WEIGHT	122,00
SUPPLY	GAS
Gas power	12
Electric power	
Internal ovens dimension	
OVEN CAPACITY	
Plate dimensions (mm)	735x530x14.5
TANK DIMENSIONS	
Tank capacity (l)	

GRIDDLE PLATES

Model
D74/10FTGR

Code
CR0993959

D74/10 FTGR



KEY

- E power supply
- G gas connection
- H2O water inlet
- S water outlet

Connection	Power	Diameter	Supply
Gas connecton	12	1/2"	
Electric connecton			
Cold water connecton			
Hot water connecton			
Cold soft water connecton			
Drain (∅)			
2° Drain (∅)			