



*we*innovate cooking

KITCHENS

650 SERIE

ELECTRIC GRIDDLE PLATES

Model

OFT610EL

Code

CR0854229

General characteristics

The SNACK 650 range by OLIS has been created with a distinctive design for all its equipment, both in the top and single-unit version, with large knobs and an ergonomic shape for the control panels. The wide selection of machines and their high performance make this range the ideal choice for rooms with a limited amount of space that still need efficient machines. The range's modularity allows for endless combinations with installations placed on cabinet bases or tables.

ELECTRIC GRIDDLE PLATE - SMOOTH PLATE



Technical/functional characteristics

The plates are heated by high-power electric heating elements, so as to guarantee that the temperature will rise rapidly and maintain the preselected values. The temperature can be adjusted from 0 to 300°C in the electric ones. The plates are equipped with splash guards so that the hob can be kept perfectly clean and hygienic. The work surface is slightly sloped so as to send sauces, grease and dressings into the capacious drip tray designed for this purpose. Model equipped with thermostatic temperature control, a safety thermostat and power lights.

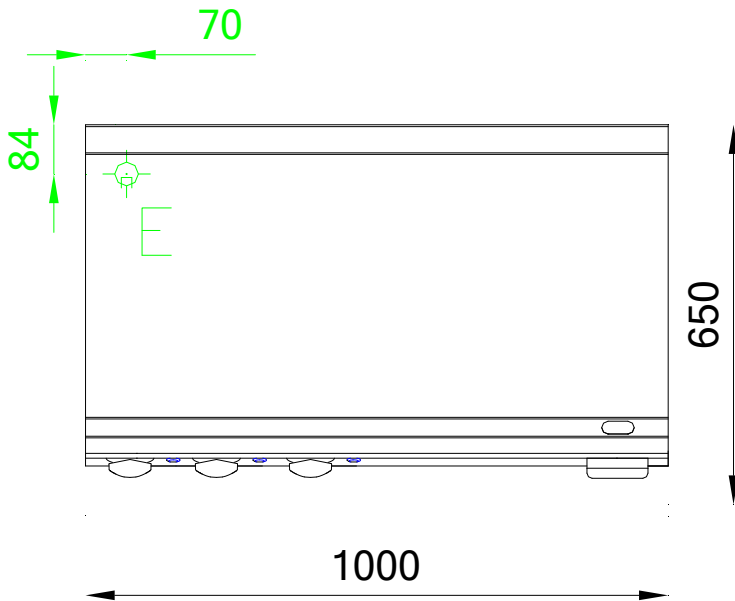
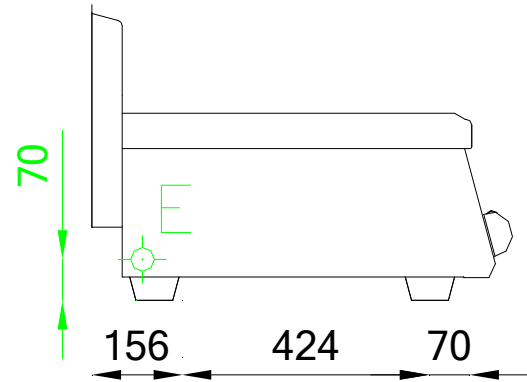
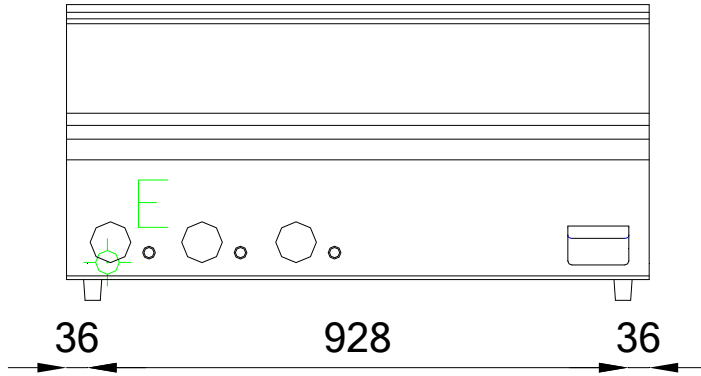
Technical Data

| | |
|--------------------------|----------|
| Model | OFT610EL |
| Width (mm) | 1.000,00 |
| Depth (mm) | 650,00 |
| Height (mm) | 295,00 |
| VOLUME | 0,25 |
| WEIGHT | 67,00 |
| SUPPLY | EL |
| Gas power | |
| Electric power | 11.7 |
| Internal ovens dimension | |
| OVEN CAPACITY | |
| Plate dimensions (mm) | 996x555 |
| TANK DIMENSIONS | |
| Tank capacity (l) | |

ELECTRIC GRIDDLE PLATES

Model
OFT610EL

Code
CR0854229



KEY

- E power supply
- G gas connection
- H2O water inlet
- S water outlet

| Connection | Power | Diameter | Supply |
|---------------------------|-------|----------|--------|
| Gas connecton | | | |
| Electric connecton | 11.7 | 400 | |
| Cold water connecton | | | 0 |
| Hot water connecton | | | |
| Cold soft water connecton | | | |
| Drain (∅) | | | |
| 2° Drain (∅) | | | |