



*we*innovate cooking

# KITCHENS DIAMANTE 70

## GRIDDLE PLATES

Model

D76/10FTE1/3R

Code

CR0994579

### General characteristics

- Stainless steel outer coatings and feet.
- Worktops made of 1,5 mm thick, brushed AISI 304 stainless steel.
- Adjustable worktop height from 840 to 900 mm.
- Contoured control panels with controls tilted towards the operator.
- Large knobs that do not protrude from the machine structure.
- Range modularity: 200-400-600-800-1200.
- Simple and effective coupling system.
- Appliances set up for the plinth.
- Vast accessory range.
- Appliances in compliance with CE standards.

### ELECTRIC GRIDDLE WITH 1/3 GROOVED PLATE ON OPEN CUPBOARD



### Technical/functional characteristics

- Outer casing and feet in stainless steel. Adjustable worktop height, ranging from 840 to 900 mm. Recessed hot plate, 40 mm lower than worktop surface. Enamelled hot plate surface, with hard polished chrome plating, available in smooth, ribbed or mixed finish versions. Plate slants 10mm forwards. Large grease drawer.
- Electric model: incoloy armoured heaters.
- Thermostatically-controlled temperature range from 110 to 280°C.
- Safety thermostat.

### Technical Data

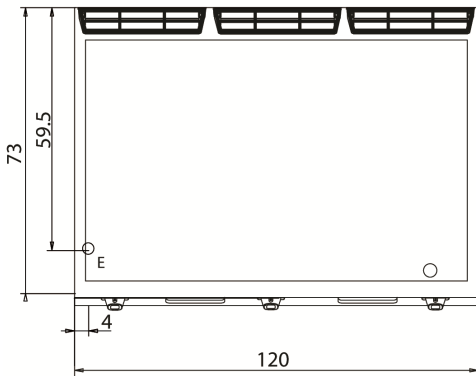
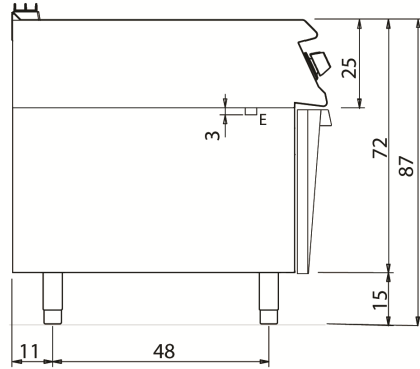
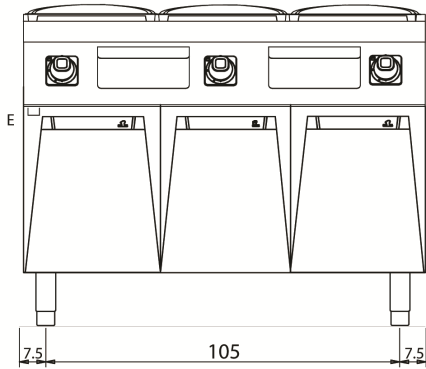
Model	D76/10FTE1/3R
Width (mm)	1.200,00
Depth (mm)	730,00
Height (mm)	870,00
VOLUME	0,76
WEIGHT	0,00
SUPPLY	EL
Gas power	
Electric power	
Internal ovens dimension	
OVEN CAPACITY	
Plate dimensions (mm)	1135x530x14.5
TANK DIMENSIONS	
Tank capacity (l)	

### GRIDDLE PLATES

Model  
D76/10FTE1/3R

Code  
CR0994579

#### D76/10 FTE1/3R



#### KEY

- E power supply
- G gas connection
- H2O water inlet
- S water outlet

Connection	Power	Diameter	Supply
Gas connecton			
Electric connecton			
Cold water connecton			
Hot water connecton			
Cold soft water connecton			
Drain (∅)			
2° Drain (∅)			