



*we*innovate cooking

KITCHENS DIAMANTE 70

PASTA-COOKER

Model

D74/10CPE

Code

CR0990069

General characteristics

- Stainless steel outer coatings and feet.
- Worktops made of 1,5 mm thick, brushed AISI 304 stainless steel.
- Adjustable worktop height from 840 to 900 mm.
- Contoured control panels with controls tilted towards the operator.
- Large knobs that do not protrude from the machine structure.
- Range modularity: 200-400-600-800-1200.
- Simple and effective coupling system.
- Appliances set up for the plinth.
- Vast accessory range.
- Appliances in compliance with CE standards.

2-BASINS ELECTRIC PASTA-COOKER 28LTS.



Technical/functional characteristics

- Outer casing and feet in stainless steel.
- Adjustable worktop height, ranging from 840 to 900 mm.
- Moulded AISI 316 stainless steel pan with rounded edges to guarantee maximum corrosion resistance.
- Electrovalve-controlled fast or slow water loading operations.
- Stainless steel water dispenser and water discharge unit at ground level.
- Safety manostat to avoid heating operations when no water in bowl.
- AISI 304 stainless steel armoured heaters positioned in the bowl for heating operations; can be rotated 90° to allow cleaning.

Technical Data

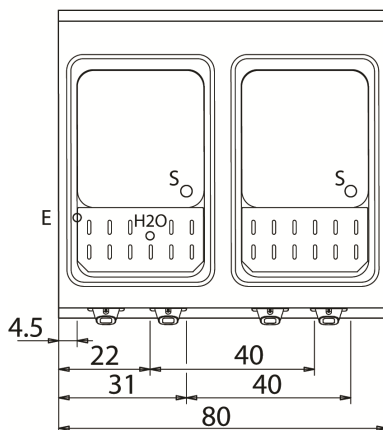
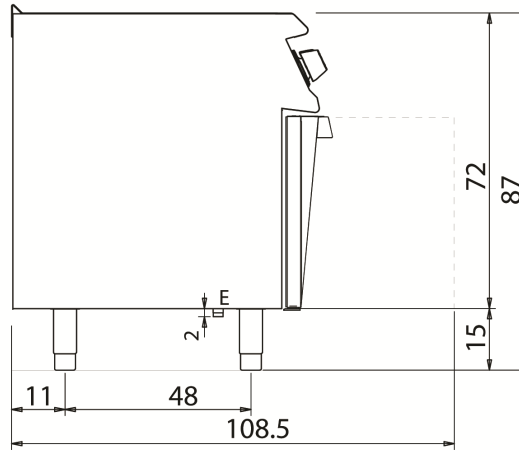
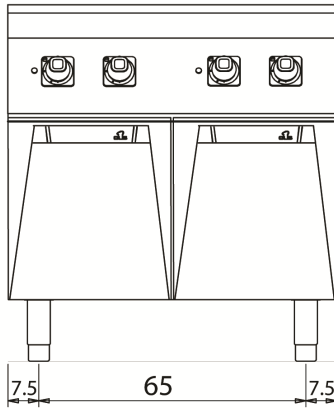
| | |
|--------------------------|-----------|
| Model | D74/10CPE |
| Width (mm) | 800,00 |
| Depth (mm) | 730,00 |
| Height (mm) | 870,00 |
| VOLUME | 0,62 |
| WEIGHT | 77,00 |
| SUPPLY | |
| Gas power | |
| Electric power | 11.2 |
| Internal ovens dimension | |
| OVEN CAPACITY | |
| Plate dimensions (mm) | |
| TANK DIMENSIONS | |
| Tank capacity (l) | |

PASTA-COOKER

Model
D74/10CPE

Code
CR0990069

D74/10 CPE



KEY

- E power supply
- G gas connection
- H2O water inlet
- S water outlet

| Connection | Power | Diameter | Supply |
|---------------------------|-------|----------|--------|
| Gas connecton | | | |
| Electric connecton | 11.2 | 400 | |
| Cold water connecton | | 3/4" | 0 |
| Hot water connecton | | | |
| Cold soft water connecton | | | |
| Drain (∅) | | 1" | |
| 2° Drain (∅) | | | |