



*we*innovate cooking

KITCHENS XXLINE

XXLINE

Model

SDFT12GTMC

Code

CR0957099

General characteristics

The XXLine is a large range for professional cooking including 6 functional units, which are flexible and particularly suitable for high-performance catering.

A perfect synthesis of efficiency, productivity and modern technology for catering.

GAS GRIDDLE PLATES CHROME VERSION, 1/2 SMOOTH E 1/2 RIBBED



Technical/functional characteristics

Technical Data

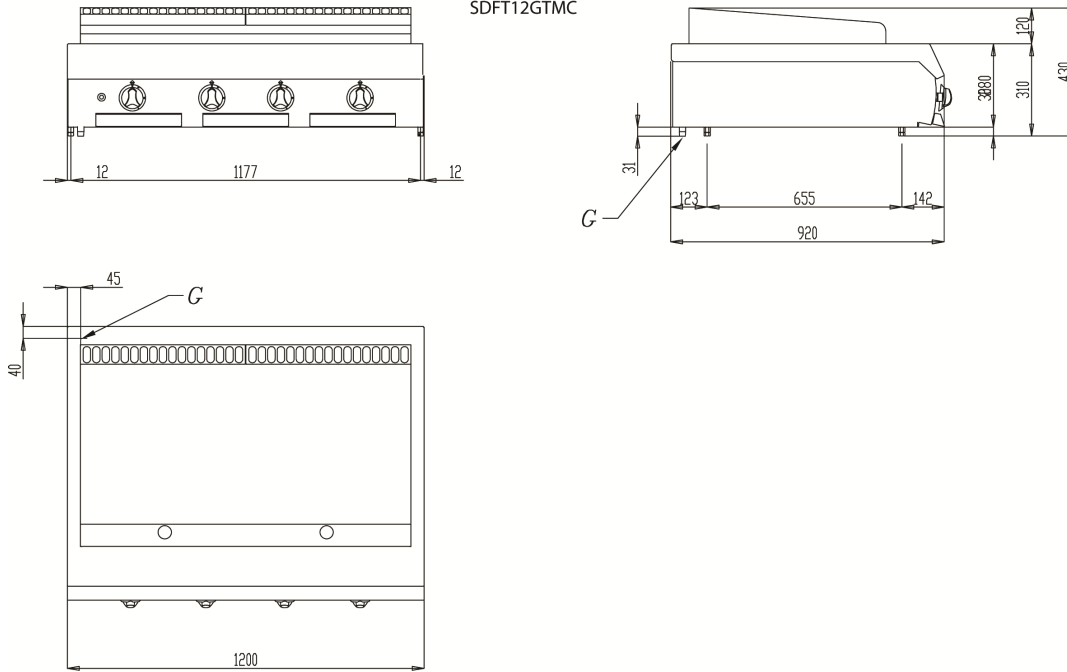
Model	SDFT12GTMC
Width (mm)	1.200,00
Depth (mm)	920,00
Height (mm)	280,00
VOLUME	0,31
WEIGHT	0,00
SUPPLY	
Gas power	
Electric power	
Internal ovens dimension	
OVEN CAPACITY	
Plate dimensions (mm)	
TANK DIMENSIONS	
Tank capacity (l)	

XXLINE

Model
SDFT12GTMC

Code
CR0957099

SDFT12GTMC



KEY

- E power supply
- G gas connection
- H2O water inlet
- S water outlet

Connection	Power	Diameter	Supply
Gas connecton			
Electric connecton			
Cold water connecton			
Hot water connecton			
Cold soft water connecton			
Drain (∅)			
2° Drain (∅)			