



*we*innovate cooking

## KITCHENS DIAMANTE 70

### BAIN MARIES

Model

D72/10TCBG

Code

CR0990279

#### General characteristics

Stainless steel outer coatings and feet.  
Worktops made of 1,5 mm thick, brushed AISI 304 stainless steel.  
Adjustable worktop height from 840 to 900 mm.  
Contoured control panels with controls tilted towards the operator.  
Large knobs that do not protrude from the machine structure.  
Range modularity: 200-400-600-800-1200.  
Simple and effective coupling system.  
Appliances set up for the plinth.  
Vast accessory range.  
Appliances in compliance with CE standards.

#### GAS BAIN-MARIE



#### Technical/functional characteristics

Outer casing and feet in stainless steel.  
Adjustable worktop height, ranging from 840 to 900 mm.  
Pan that are suitable to contain bowls that are 150 mm high.  
Perforated false bottom to support recipients.  
Temperature regulation from 30° to 90°C.  
Bowl equipped with overflow device.  
Burner controlled by thermocouple thermostat safety valve and piezo electric lighter.

#### Technical Data

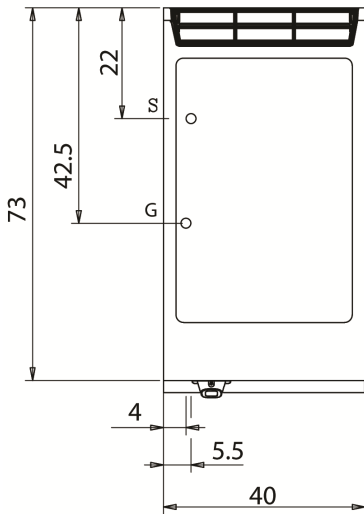
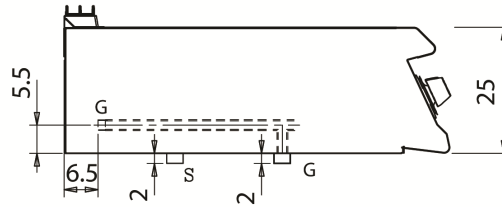
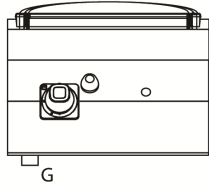
Model	D72/10TCBG
Width (mm)	400,00
Depth (mm)	730,00
Height (mm)	250,00
VOLUME	0,16
WEIGHT	33,00
SUPPLY	
Gas power	3
Electric power	
Internal ovens dimension	
OVEN CAPACITY	
Plate dimensions (mm)	
TANK DIMENSIONS	
Tank capacity (l)	

### BAIN MARIES

Model  
D72/10TCBG

Code  
CR0990279

#### D72/10 TCBG



#### KEY

- E power supply
- G gas connection
- H2O water inlet
- S water outlet

Connection	Power	Diameter	Supply
Gas connecton	3	1/2"	
Electric connecton			
Cold water connecton			
Hot water connecton			
Cold soft water connecton			
Drain (∅)		1/2"	
2° Drain (∅)			