



*we*innovate cooking

# KITCHENS

## 650 SERIE

### GAS RANGES

Model

OC64G

Code

CR0853869

### General characteristics

The SNACK 650 range by OLIS has been created with a distinctive design for all its equipment, both in the top and single-unit version, with large knobs and an ergonomic shape for the control panels. The wide selection of machines and their high performance make this range the ideal choice for rooms with a limited amount of space that still need efficient machines. The range's modularity allows for endless combinations with installations placed on cabinet bases or tables.

### 2 GAS BURNERS BOILING TOP



### Technical/functional characteristics

These hobs have the power of large-size models. 3.5 kW and 5.5 kW burners. The hob is moulded from a single piece of AISI 304 18/10 stainless steel with Scotch Brite finish, with ample rounded corners and large capacity to collect overflowing liquids. Enamelled cast iron pan stands ensuring that they will last over time. The gas hobs are designed with pilot flame, thermocouple and valved tap to ensure maximum safety.

### Technical Data

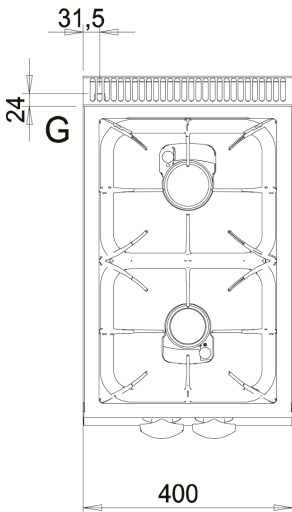
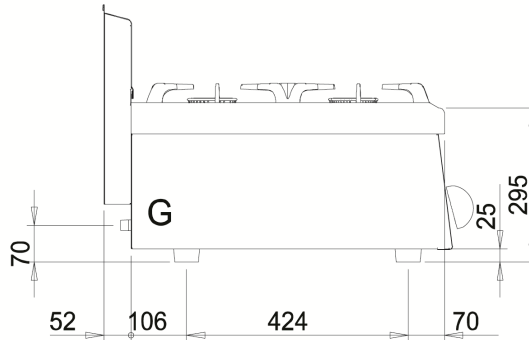
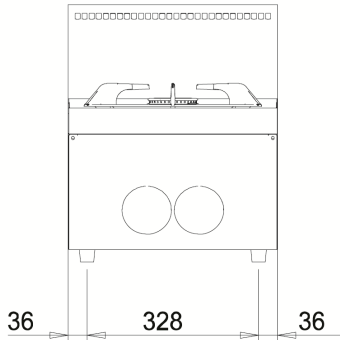
Model	OC64G
Width (mm)	400,00
Depth (mm)	650,00
Height (mm)	295,00
VOLUME	0,15
WEIGHT	19,00
SUPPLY	GAS
Gas power	9
Electric power	
Internal ovens dimension	
OVEN CAPACITY	
Plate dimensions (mm)	
TANK DIMENSIONS	
Tank capacity (l)	

### GAS RANGES

Model  
OC64G

Code  
CR0853869

#### OC64G



#### KEY

- E power supply
- G gas connection
- H2O water inlet
- S water outlet

Connection	Power	Diameter	Supply
Gas connecton	9	1/2"	
Electric connecton			
Cold water connecton			
Hot water connecton			
Cold soft water connecton			
Drain (∅)			
2° Drain (∅)			