



*we*innovate cooking

# KITCHENS DIAMANTE 70

## GRIDDLE PLATES

Model

D76/10FTE

Code

CR0994519

### General characteristics

- Stainless steel outer coatings and feet.
- Worktops made of 1,5 mm thick, brushed AISI 304 stainless steel.
- Adjustable worktop height from 840 to 900 mm.
- Contoured control panels with controls tilted towards the operator.
- Large knobs that do not protrude from the machine structure.
- Range modularity: 200-400-600-800-1200.
- Simple and effective coupling system.
- Appliances set up for the plinth.
- Vast accessory range.
- Appliances in compliance with CE standards.

### ELECTRIC GRIDDLE WITH SMOOTH PLATE ON OPEN CUPBOARD



### Technical/functional characteristics

- Outer casing and feet in stainless steel. Adjustable worktop height, ranging from 840 to 900 mm. Recessed hot plate, 40 mm lower than worktop surface. Enamelled hot plate surface, with hard polished chrome plating, available in smooth, ribbed or mixed finish versions. Plate slants 10mm forwards. Large grease drawer.
- Electric model: incoloy armoured heaters.
- Thermostatically-controlled temperature range from 110 to 280°C.
- Safety thermostat.

### Technical Data

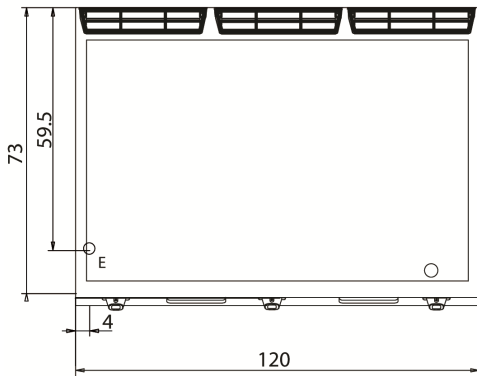
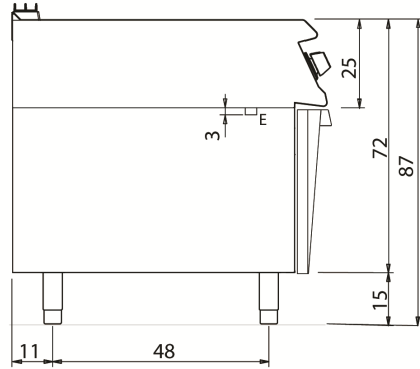
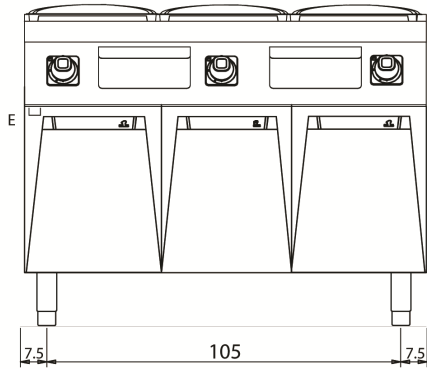
|                          |               |
|--------------------------|---------------|
| Model                    | D76/10FTE     |
| Width (mm)               | 1.200,00      |
| Depth (mm)               | 730,00        |
| Height (mm)              | 870,00        |
| VOLUME                   | 0,76          |
| WEIGHT                   | 0,00          |
| SUPPLY                   | EL            |
| Gas power                |               |
| Electric power           |               |
| Internal ovens dimension |               |
| OVEN CAPACITY            |               |
| Plate dimensions (mm)    | 1135x530x14.5 |
| TANK DIMENSIONS          |               |
| Tank capacity (l)        |               |

### GRIDDLE PLATES

Model  
D76/10FTE

Code  
CR0994519

#### D76/10 FTE



#### KEY

- E** power supply
- G** gas connection
- H2O** water inlet
- S** water outlet

| Connection                | Power | Diameter | Supply |
|---------------------------|-------|----------|--------|
| Gas connecton             |       |          |        |
| Electric connecton        |       |          |        |
| Cold water connecton      |       |          |        |
| Hot water connecton       |       |          |        |
| Cold soft water connecton |       |          |        |
| Drain (∅)                 |       |          |        |
| 2° Drain (∅)              |       |          |        |