



*we*innovate cooking

KITCHENS

650 SERIE

GAS RANGES

Model

OC6FG11G

Code

CR0853929

General characteristics

The SNACK 650 range by OLIS has been created with a distinctive design for all its equipment, both in the top and single-unit version, with large knobs and an ergonomic shape for the control panels. The wide selection of machines and their high performance make this range the ideal choice for rooms with a limited amount of space that still need efficient machines. The range's modularity allows for endless combinations with installations placed on cabinet bases or tables.

6 GAS BURNERS BOILING TOP WITH GAS OVEN



Technical/functional characteristics

These hobs have the power of large-size models. 3.5 kW and 5.5 kW burners. The hob is moulded from a single piece of AISI 304 18/10 stainless steel with Scotch Brite finish, with ample rounded corners and large capacity to collect overflowing liquids. Enamelled cast iron pan stands ensuring that they will last over time. The gas hobs are designed with pilot flame, thermocouple and valved tap to ensure maximum safety. A light indicates when the appliance is powered. GN 1/1-size ovens gas version with adjustable temperature from 140-280°C.

Technical Data

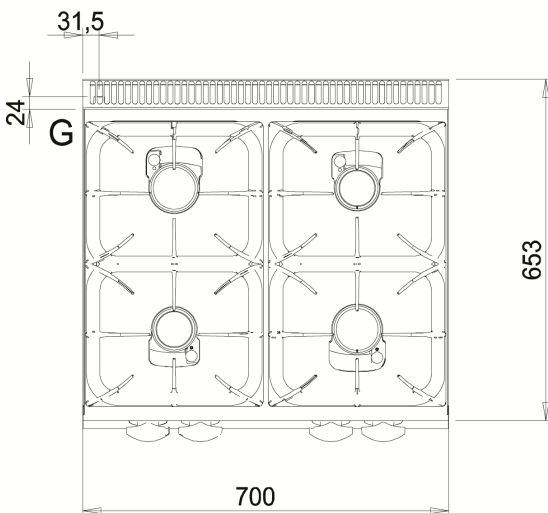
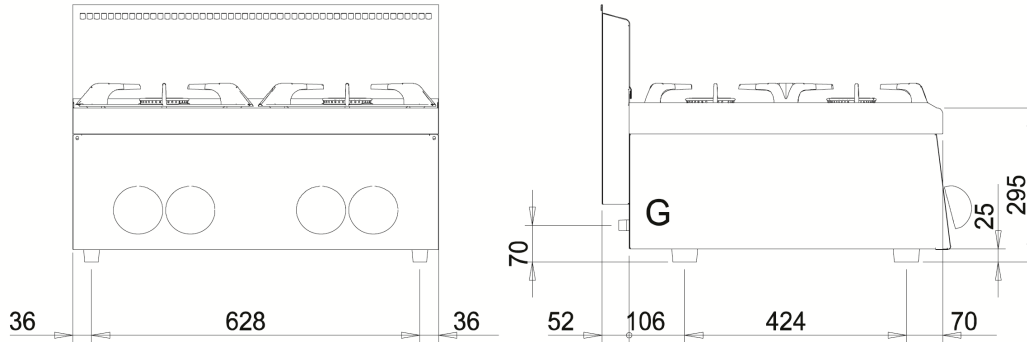
Model	OC6FG11G
Width (mm)	1.100,00
Depth (mm)	650,00
Height (mm)	870,00
VOLUME	0,70
WEIGHT	120,00
SUPPLY	GAS
Gas power	32
Electric power	
Internal ovens dimension	570x530x295h
OVEN CAPACITY	GN1/1
Plate dimensions (mm)	
TANK DIMENSIONS	
Tank capacity (l)	

GAS RANGES

Model
OC6FG11G

Code
CR0853929

OC67G



KEY

- E power supply
- G gas connection
- H2O water inlet
- S water outlet

Connection	Power	Diameter	Supply
Gas connecton	32	1/2"	
Electric connecton			
Cold water connecton			
Hot water connecton			
Cold soft water connecton			
Drain (∅)			
2° Drain (∅)			