



*we*innovate cooking

KITCHENS DIAMANTE 90

PASTA-COOKER

Model

D94/10CPE

Code

CR0991039

General characteristics

- Stainless steel outer coatings and feet.
- Worktops made of 2 mm thick, brushed AISI 304 stainless steel.
- Adjustable worktop height from 840 to 900 mm.
- Contoured control panels with controls tilted towards the operator.
- Large knobs that do not protrude from the machine structure.
- Range modularity: 200-400-600-800-1200.
- Simple and effective coupling system.
- Appliances set up for the plinth.
- Vast accessory range.
- Appliances in compliance with CE standards.

2-BASINS ELECTRIC PASTA-COOKER 40LTS.



Technical/functional characteristics

Outer casing and feet in stainless steel. Adjustable worktop height, ranging from 840 to 900 mm. Moulded AISI 316 stainless steel pan with rounded edges to guarantee maximum corrosion resistance. Electrovalve-controlled fast or slow water loading operations. Stainless steel water dispenser and water discharge unit at ground level. Safety manostat to avoid heating operations when no water in bowl. Electric model: AISI 304 stainless steel armoured heaters positioned in the bowl for heating operations; can be rotated 90° to allow cleaning.

Technical Data

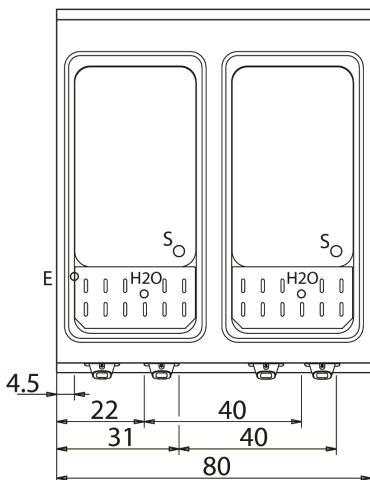
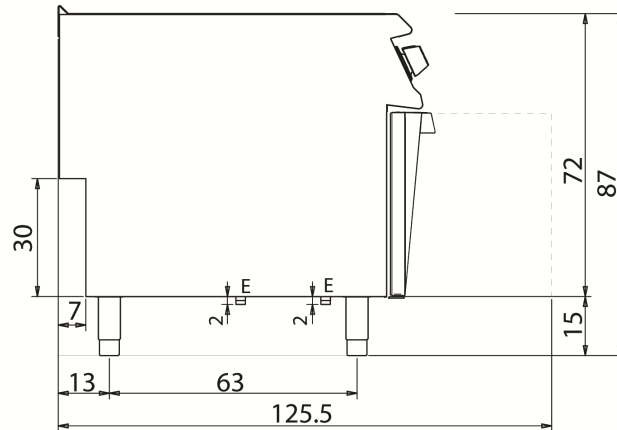
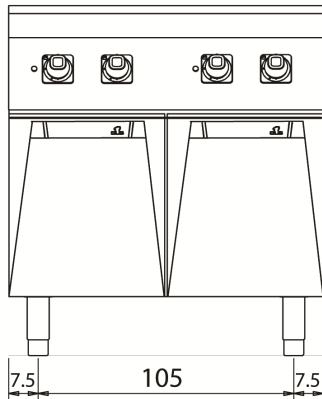
Model	D94/10CPE
Width (mm)	800,00
Depth (mm)	900,00
Height (mm)	870,00
VOLUME	1,00
WEIGHT	170,00
SUPPLY	EL
Gas power	
Electric power	17
Internal ovens dimension	
OVEN CAPACITY	
Plate dimensions (mm)	
TANK DIMENSIONS	310x510x275h
Tank capacity (l)	2x40Lt.

PASTA-COOKER

Model
D94/10CPE

Code
CR0991039

D94/10 CPE



KEY

- E power supply
- G gas connection
- H2O water inlet
- S water outlet

Supply

Gas connecton			
Electric connecton	17	400	
Cold water connecton		3/4"	0
Hot water connecton			
Cold soft water connecton			
Drain (∅)		1"	
2° Drain (∅)			