



*we*innovate cooking

KITCHENS DIAMANTE 70

EL.SOLID TOP RANGES

Model

D74/10CTEE

Code

CR0990219

General characteristics

- Stainless steel outer coatings and feet.
- Worktops made of 1,5 mm thick, brushed AISI 304 stainless steel.
- Adjustable worktop height from 840 to 900 mm.
- Contoured control panels with controls tilted towards the operator.
- Large knobs that do not protrude from the machine structure.
- Range modularity: 200-400-600-800-1200.
- Simple and effective coupling system.
- Appliances set up for the plinth.
- Vast accessory range.
- Appliances in compliance with CE standards.

ELECTRIC SOLID TOP ON ELECTRIC OVEN



Technical/functional characteristics

- Outer casing and feet in stainless steel.
- Adjustable worktop height, ranging from 840 to 900 mm.
- Heating for each area is carried out by radiant elements controlled by a safety thermostat.
- Temperature controlled by thermostat with a range from 50 to 400°C.
- Electric oven with independently regulated armoured heating elements on oven roof and to the rear.
- Thermostatically-controlled temperature range from 50 to 300°C.
- Gas and electric GN 2/1 oven

Technical Data

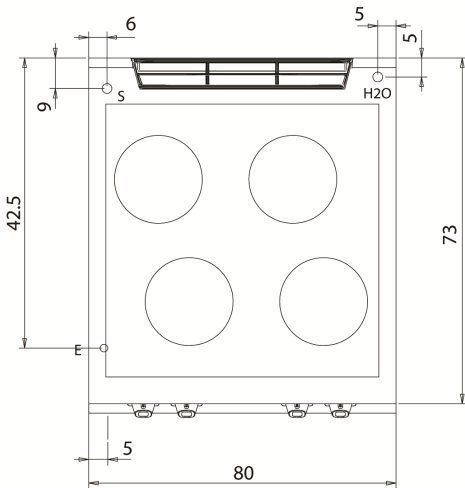
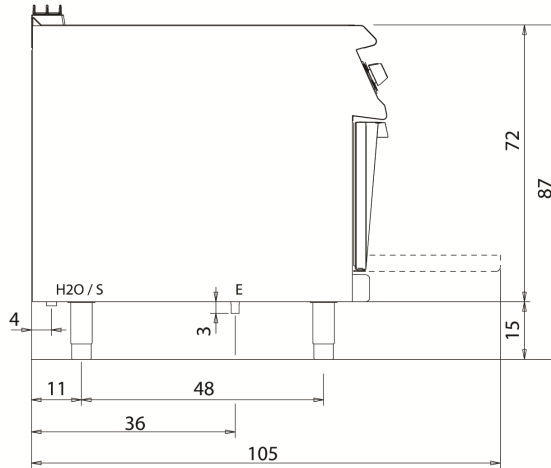
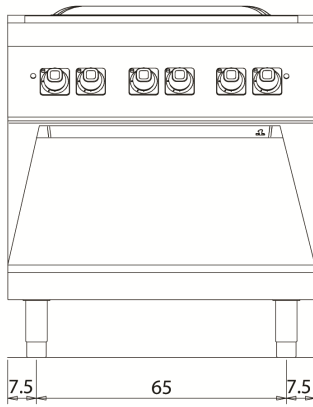
Model	D74/10CTEE
Width (mm)	800,00
Depth (mm)	730,00
Height (mm)	870,00
VOLUME	0,80
WEIGHT	125,00
SUPPLY	
Gas power	
Electric power	16
Internal ovens dimension	
OVEN CAPACITY	
Plate dimensions (mm)	
TANK DIMENSIONS	
Tank capacity (l)	

EL.SOLID TOP RANGES

Model
D74/10CTEE

Code
CR0990219

D74/10 CTEE



KEY

- E power supply
- G gas connection
- H2O water inlet
- S water outlet

Connection	Power	Diameter	Supply
Gas connecton			
Electric connecton	16	400	
Cold water connecton			0
Hot water connecton			
Cold soft water connecton			
Drain (∅)			
2° Drain (∅)			