

# TC 180

## Ice Machine/Dispenser up to 140 kg

Item #:
Project:
Quantity:



### FEATURES

- Automatic ice dispensing systems and self-service operations are becoming ever-more popular in modern Foodservice concepts.
- By far the dryest and hardest form of Flake ice, it is produced at just below zero degrees Celsius just like all other flake ice forms, but it is then compressed to remove excess residual water, reducing it to as low as 10% of its original volume.
- They allow customers to cool their drinks as per their own taste, making it easy and preventing any potential sanitary hazards: clear and pure ice bits drop directly into the consumer's glass, with no manipulation.
- Scotsman Ice dispenser TC180 is the Industry benchmark in the ice or ice and water dispensers segment.
- This line, in its different versions, is now available in the "Long Range" version that offers an unprecedented 9 kg in-built bin, keeping the same dimension as the original 5 kg version.
- For those locations where the dimension of the counter are limited, we are offering the "Short" version, whose depth has been reduced by close to 6 cm, allowing for installation on most counters. The capacity of the storage bin will not change though, granting the same amount (5 kg) of Scotsman "Cubelet" super compressed ice.
- Available in 3 configurations: ice & water touch free or manual, ice only touch free.



**TC S-L 180 AS**  
Touch free dispensing model  
- Ice & water configuration  
- Easy clean



**TC S-L 180 ASM**  
Manual version with 2 push buttons  
- Ice & water configuration  
- Easy clean



**TC S 180 EVO**  
Touch free dispensing model  
- Ice only configuration  
- No push buttons in the front  
- Easy clean  
- Specific for self-service use



TC 180  
Cubelet 1 g  
W 16 x D 15 x H 7-8 mm

### CONDENSING SYSTEM

Air cooled

### INTERNAL BIN CAPACITY

TCS 180 = 5 kg  
TCL 180 = 9 kg

### REFRIGERANT GAS

R134a

### OPERATING REQUIREMENTS

	Minimum	Maximum
Air temperature	10°C	43°C
Water temperature	5°C	38°C
Water pressure	1 bar (14 psi)	5 bar (70 psi)
Electrical voltage	-10%	+10%

### VOLTAGE V/Hz/ph

115/60/1  
230/50/1  
230/60/1

### Certifications:



**IMPORTANT NOTICE:**  
Models and specifications are subject to change without notice. This spec sheet is meant for commercial purpose only. For technical documentation please refer to our service manuals.

Download our free App Scotsman Ice  
Apple store  
Google play  
Windows store



[www.scotsman-ice.it](http://www.scotsman-ice.it)  
[www.scotsman-ice.com](http://www.scotsman-ice.com)

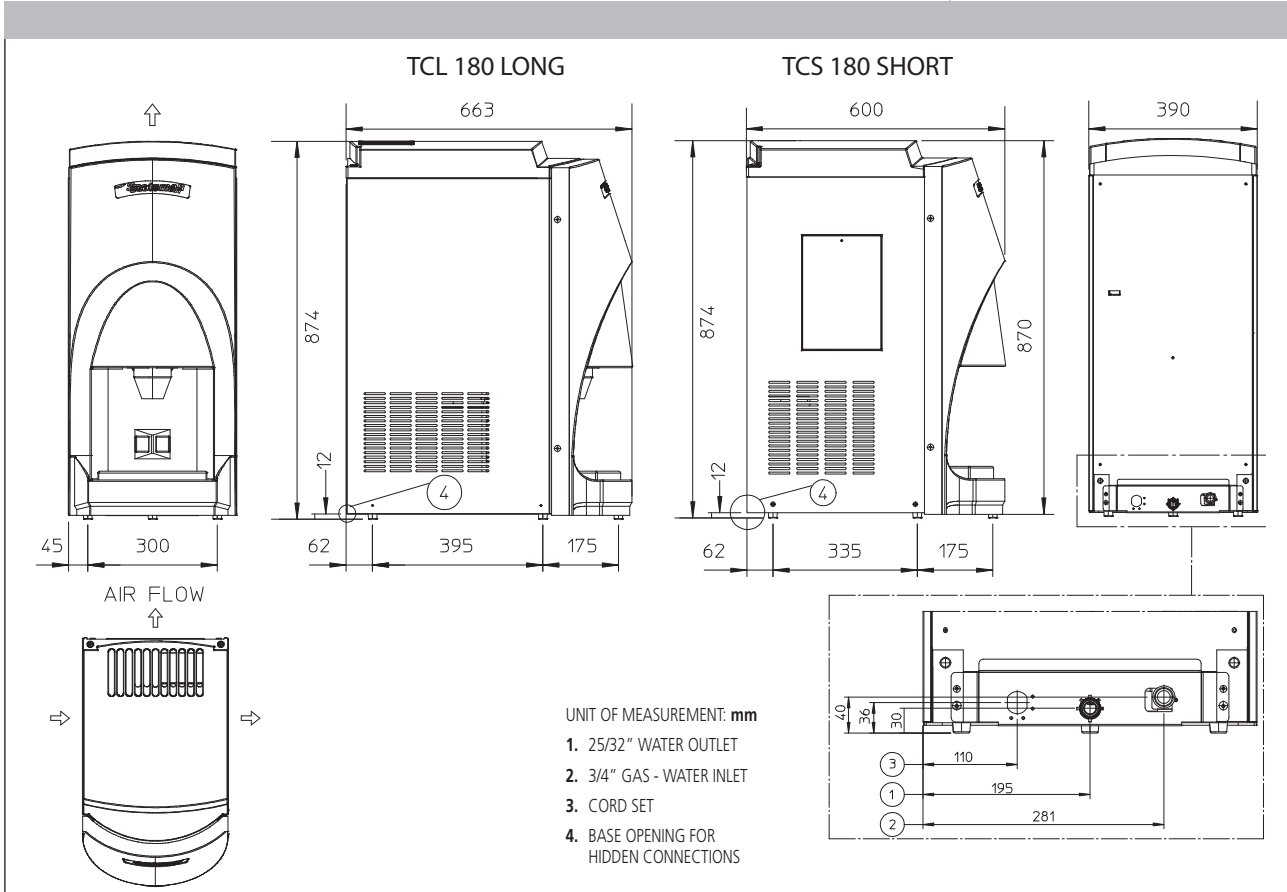
Ice Machine/Dispenser up to 140 kg

# TC 180

Ice Machine/Dispenser up to 140 kg

Item #:  
Project:  
Quantity:

Ice Machine/Dispenser up to 140 kg



UNIT DATA		Compressor		Circuit wires		Max. fuse size		
		Version	Voltage	Btu/h	W	No.	Ømm <sup>2</sup>	A
Size (W x D x H)	390 x 663 x 874 mm	TCL 180 AS	230/50/1	4436	1300	3	1.5	10
Net weight	64 kg	TCL 180 AS	115/60/1	4777	1400	3	1.5	10
		TCL 180 AS	230/60/1	4777	1400	3	1.5	10
		TCS 180 AS	230/50/1	4436	1300	3	1.5	10
		TCS 180 AS	230/60/1	4777	1400	3	1.5	10
		TCL 180 ASM	230/50/1	4436	1300	3	1.5	10
		TCL 180 ASM	230/60/1	4777	1400	3	1.5	10
		TCS 180 ASM	230/50/1	4436	1300	3	1.5	10
		TCS 180 EVO	230/50/1	4436	1300	3	1.5	10

Version	Condensation	Voltage	24 h ice production kg °C Amb. / °C Water			Energy consumption*		Water usage*	Instant power
			10°C/10°C	21°C/10°C	32°C/21°C	kWh/100 kg	kWh/24h	l/h	W
TCL 180 AS	Air	230/50/1	120	114	86	13.4	11.5	4.2	500
TCL 180 AS	Air	115/60/1	140	124	95	16.3	15.5	4.0	650
TCL 180 AS	Air	230/60/1	120	114	86	16.8	14.5	4.0	670
TCS 180 AS	Air	230/50/1	120	114	86	13.4	11.5	4.2	500
TCS 180 AS	Air	230/60/1	120	114	86	16.8	14.5	4.0	670
TCL 180 ASM	Air	230/50/1	120	114	86	13.4	11.5	4.2	500
TCL 180 ASM	Air	230/60/1	120	114	86	16.8	14.5	4.0	670
TCS 180 ASM	Air	230/50/1	120	114	86	13.4	11.5	4.2	500
TCS 180 EVO	Air	230/50/1	120	114	86	13.4	11.5	4.2	500

(\*) Data refer to 32°C Amb. / 21°C Water temperature conditions