



*we*innovate cooking

# KITCHENS DIAMANTE 70

## GRIDDLE PLATES

Model

D74/10FTG1/3R

Code

CR0993979

### General characteristics

- Stainless steel outer coatings and feet.
- Worktops made of 1,5 mm thick, brushed AISI 304 stainless steel.
- Adjustable worktop height from 840 to 900 mm.
- Contoured control panels with controls tilted towards the operator.
- Large knobs that do not protrude from the machine structure.
- Range modularity: 200-400-600-800-1200.
- Simple and effective coupling system.
- Appliances set up for the plinth.
- Vast accessory range.
- Appliances in compliance with CE standards.

### GAS GRIDDLE WITH 1/3 GROOVED PLATE ON OPEN CUPBOARD



### Technical/functional characteristics

- Outer casing and feet in stainless steel.
- Adjustable worktop height, ranging from 840 to 900 mm.
- Recessed hot plate, 40 mm lower than worktop surface.
- Enamelled hot plate surface mixed.
- Plate slants 10mm forwards.
- Large grease drawer.
- Burner with self-stabilizing flame.
- Temperature adjustment and regulation with safety tap and thermocouple (200-400°C) or thermostat safety valve with thermocouple (110-280°C).

### Technical Data

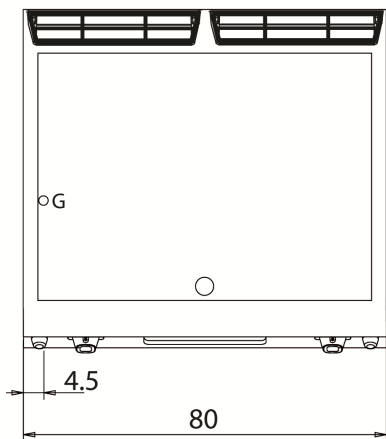
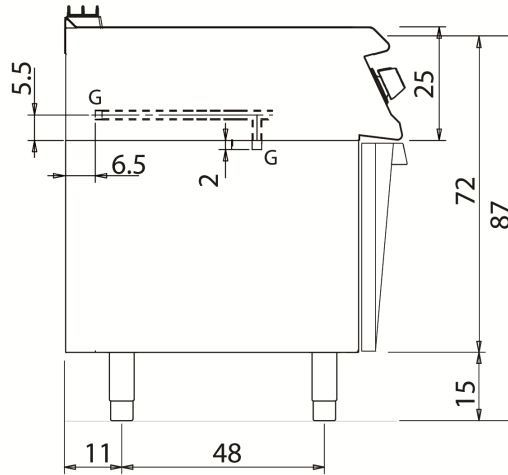
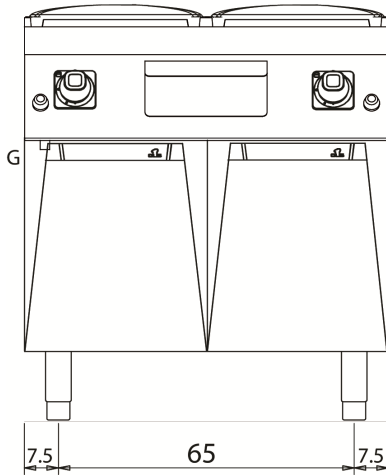
Model	D74/10FTG1/3R
Width (mm)	800,00
Depth (mm)	730,00
Height (mm)	870,00
VOLUME	0,80
WEIGHT	122,00
SUPPLY	GAS
Gas power	12
Electric power	
Internal ovens dimension	
OVEN CAPACITY	
Plate dimensions (mm)	735x530x14.5
TANK DIMENSIONS	
Tank capacity (l)	

### GRIDDLE PLATES

Model  
D74/10FTG1/3R

Code  
CR0993979

#### D74/10 FTG1/3R



**KEY**

- E power supply
- G gas connection
- H2O water inlet
- S water outlet

Connection	Power	Diameter	Supply
Gas connecton	12	1/2"	
Electric connecton			
Cold water connecton			
Hot water connecton			
Cold soft water connecton			
Drain (∅)			
2° Drain (∅)			