



*we*innovate cooking

KITCHENS DIAMANTE 70

PASTA-COOKER

Model

D73/10CPE

Code

CR0990059

General characteristics

- Stainless steel outer coatings and feet.
- Worktops made of 1,5 mm thick, brushed AISI 304 stainless steel.
- Adjustable worktop height from 840 to 900 mm.
- Contoured control panels with controls tilted towards the operator.
- Large knobs that do not protrude from the machine structure.
- Range modularity: 200-400-600-800-1200.
- Simple and effective coupling system.
- Appliances set up for the plinth.
- Vast accessory range.
- Appliances in compliance with CE standards.

1-BASIN ELECTRIC PASTA-COOKER 40LTS.



Technical/functional characteristics

- Outer casing and feet in stainless steel.
- Adjustable worktop height, ranging from 840 to 900 mm.
- Moulded AISI 316 stainless steel pan with rounded edges to guarantee maximum corrosion resistance.
- Electrovalve-controlled fast or slow water loading operations.
- Stainless steel water dispenser and water discharge unit at ground level.
- Safety manostat to avoid heating operations when no water in bowl.
- AISI 304 stainless steel armoured heaters positioned in the bowl for heating operations; can be rotated 90° to allow cleaning.

Technical Data

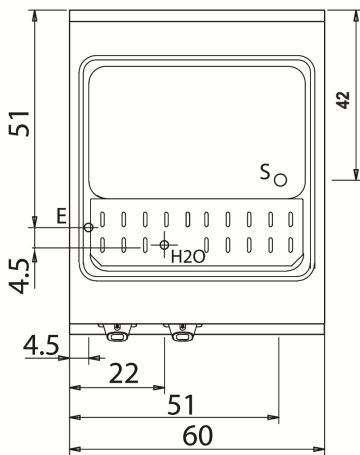
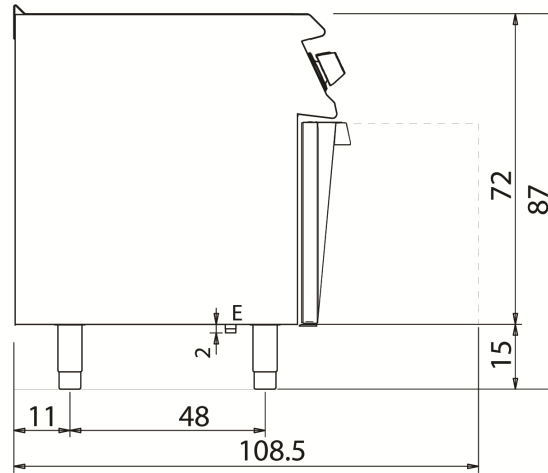
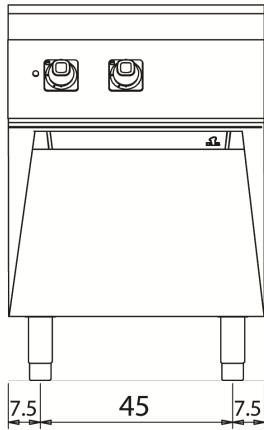
Model	D73/10CPE
Width (mm)	600,00
Depth (mm)	730,00
Height (mm)	870,00
VOLUME	0,51
WEIGHT	67,00
SUPPLY	
Gas power	
Electric power	9
Internal ovens dimension	
OVEN CAPACITY	
Plate dimensions (mm)	
TANK DIMENSIONS	
Tank capacity (l)	

PASTA-COOKER

Model
D73/10CPE

Code
CR0990059

D73/10 CPE



KEY

- E power supply
- G gas connection
- H2O water inlet
- S water outlet

Connection	Power	Diameter	Supply
Gas connecton			
Electric connecton	9	400	
Cold water connecton		3/4"	0
Hot water connecton			
Cold soft water connecton			
Drain (∅)		1"	
2° Drain (∅)			