



*we*innovate cooking

KITCHENS DIAMANTE 70

GAS RANGES

Model

D76/10TCG

Code

CR0993539

General characteristics

- Stainless steel outer coatings and feet.
- Worktops made of 1,5 mm thick, brushed AISI 304 stainless steel.
- Adjustable worktop height from 840 to 900 mm.
- Contoured control panels with controls tilted towards the operator.
- Large knobs that do not protrude from the machine structure.
- Range modularity: 200-400-600-800-1200.
- Simple and effective coupling system.
- Appliances set up for the plinth.
- Vast accessory range.
- Appliances in compliance with CE standards.

6-BURNER GAS RANGE TOP



Technical/functional characteristics

- Outer casing and feet in stainless steel.
- Adjustable worktop height, ranging from 840 to 900 mm.
- Shaped cooker control panel with knobs slanted towards the operator.
- Nickel-plated top burners with stable flame. Thermocouple safety valve with pilot light.
- Acid-resistant black enamelled cast iron burner grates with long spokes suitable for supporting small pots and pans.
- Stainless steel drip bowls.

Technical Data

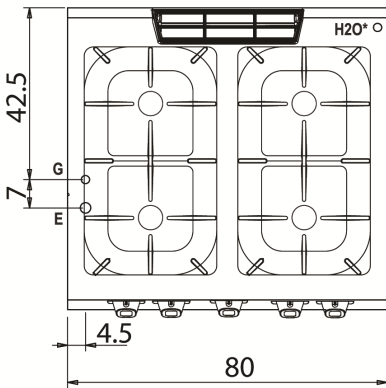
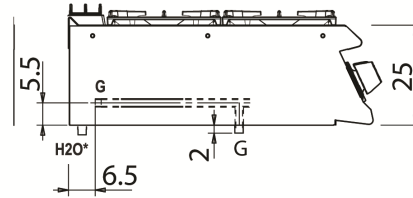
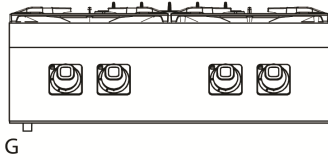
Model	D76/10TCG
Width (mm)	1.200,00
Depth (mm)	730,00
Height (mm)	280,00
VOLUME	0,40
WEIGHT	70,00
SUPPLY	
Gas power	27.3
Electric power	
Internal ovens dimension	
OVEN CAPACITY	
Plate dimensions (mm)	
TANK DIMENSIONS	
Tank capacity (l)	

GAS RANGES

Model
D76/10TCG

Code
CR0993539

D74/10 TCG



KEY

- E power supply
- G gas connection
- H20 water inlet
- S water outlet

Connection	Power	Diameter	Supply
Gas connecton	27.3	1/2"	
Electric connecton			
Cold water connecton			
Hot water connecton			
Cold soft water connecton			
Drain (∅)			
2° Drain (∅)			