



*we*innovate cooking

## KITCHENS DIAMANTE 90

### GAS RANGES

Model

D98/10CGG

Code

CR0995219

#### General characteristics

Stainless steel outer coatings and feet.  
Worktops made of 2 mm thick, brushed AISI 304 stainless steel.  
Adjustable worktop height from 840 to 900 mm.  
Contoured control panels with controls tilted towards the operator.  
Large knobs that do not protrude from the machine structure.  
Range modularity: 200-400-600-800-1200.  
Simple and effective coupling system.  
Appliances set up for the plinth.  
Vast accessory range.  
Appliances in compliance with CE standards.

#### 8-BURNER GAS RANGE ON GAS OVEN



#### Technical/functional characteristics

Outer casing and feet in stainless steel. Adjustable worktop height, ranging from 840 to 900 mm. Shaped cooker control panel with knobs slanted towards the operator. Nickel-plated top burners with stable flame. Thermocouple safety valve with pilot light. Acid-resistant black enamelled cast iron burner grates with long spokes suitable for supporting small pots and pans. Stainless steel drip bowls. oven heating with stainless steel burner with self-stabilizing flame, and thermostatically-controlled temperature range from 100 to 300°C.

#### Technical Data

Model D98/10CGG

Width (mm) 1.600,00

Depth (mm) 900,00

Height (mm) 840,00

VOLUME 1,90

WEIGHT 330,00

SUPPLY GAS

Gas power 59.4

Electric power

Internal ovens dimension 575x700x300h

OVEN CAPACITY GN2/1

Plate dimensions (mm)

TANK DIMENSIONS

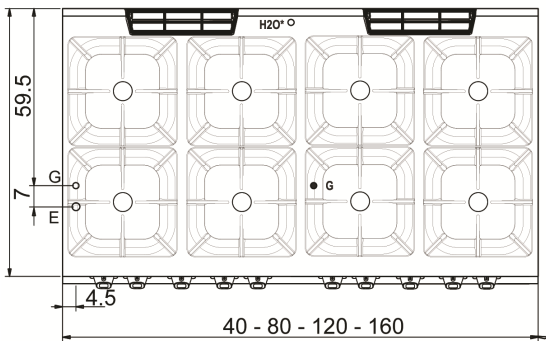
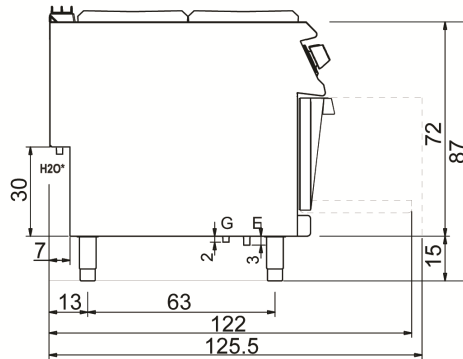
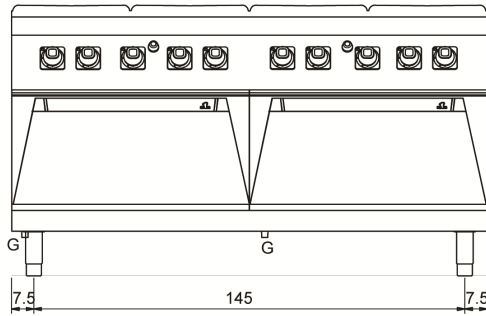
Tank capacity (l)

### GAS RANGES

Model  
D98/10CGG

Code  
CR0995219

#### D98/10 CGG



#### KEY

- E power supply
- G gas connection
- H2O water inlet
- S water outlet

Connection	Power	Diameter	Supply
Gas connecton	59.4	1/2"	
Electric connecton			
Cold water connecton			
Hot water connecton			
Cold soft water connecton			
Drain (∅)			
2° Drain (∅)			