



*we*innovate cooking

KITCHENS DIAMANTE 90

GRIDDLE PLATES

Model

D92/10TFTG

Code

CR0995669

General characteristics

- Stainless steel outer coatings and feet.
- Worktops made of 2 mm thick, brushed AISI 304 stainless steel.
- Adjustable worktop height from 840 to 900 mm.
- Contoured control panels with controls tilted towards the operator.
- Large knobs that do not protrude from the machine structure.
- Range modularity: 200-400-600-800-1200.
- Simple and effective coupling system.
- Appliances set up for the plinth.
- Vast accessory range.
- Appliances in compliance with CE standards.

GAS GRIDDLE WITH SMOOTH PLATE TOP



Technical/functional characteristics

- Outer casing and feet in stainless steel.
- Adjustable worktop height, ranging from 840 to 900 mm.
- Recessed hot plate, 40 mm lower than worktop surface.
- Enamelled hot plate surface smooth.
- Plate slants 10mm forwards.
- Large grease drawer.
- Burner with self-stabilizing flame.
- Temperature adjustment and regulation with safety tap and thermocouple (200-400°C) or thermostat safety valve with thermocouple (110-280°C).

Technical Data

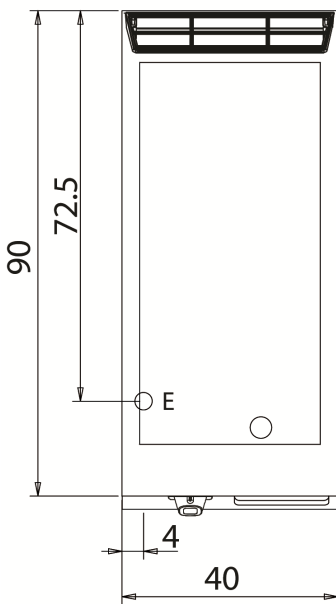
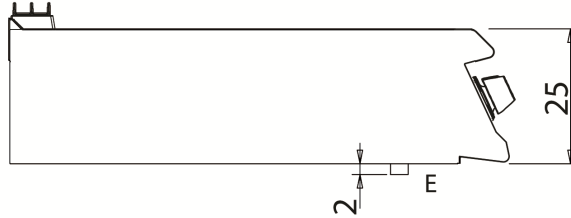
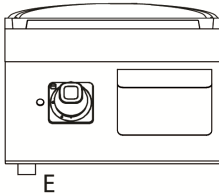
Model	D92/10TFTG
Width (mm)	400,00
Depth (mm)	900,00
Height (mm)	250,00
VOLUME	0,20
WEIGHT	71,00
SUPPLY	GAS
Gas power	7
Electric power	
Internal ovens dimension	
OVEN CAPACITY	
Plate dimensions (mm)	345x700
TANK DIMENSIONS	
Tank capacity (l)	

GRIDDLE PLATES

Model
D92/10TFTG

Code
CR0995669

D92/10 TFTG



KEY

- E power supply
- G gas connection
- H2O water inlet
- S water outlet

Connection	Power	Diameter	Supply
Gas connecton	7	1/2"	
Electric connecton			
Cold water connecton			
Hot water connecton			
Cold soft water connecton			
Drain (∅)			
2° Drain (∅)			