



*we*innovate cooking

KITCHENS DIAMANTE 90

GAS RANGES

Model

D94/10CGG

Code

CR0995149

General characteristics

- Stainless steel outer coatings and feet.
- Worktops made of 2 mm thick, brushed AISI 304 stainless steel.
- Adjustable worktop height from 840 to 900 mm.
- Contoured control panels with controls tilted towards the operator.
- Large knobs that do not protrude from the machine structure.
- Range modularity: 200-400-600-800-1200.
- Simple and effective coupling system.
- Appliances set up for the plinth.
- Vast accessory range.
- Appliances in compliance with CE standards.

4-BURNER GAS RANGE ON GAS OVEN



Technical/functional characteristics

- Outer casing and feet in stainless steel.
- Adjustable worktop height, ranging from 840 to 900 mm.
- Shaped cooker control panel with knobs slanted towards the operator.
- Nickel-plated top burners with stable flame.
- Thermocouple safety valve with pilot light.
- Acid-resistant black enamelled cast iron burner grates with long spokes suitable for supporting small pots and pans.
- Stainless steel drip bowls.
- Oven heating with stainless steel burner with self-stabilizing flame, and thermostatically-controlled temperature range from 100 to 300°C.

Technical Data

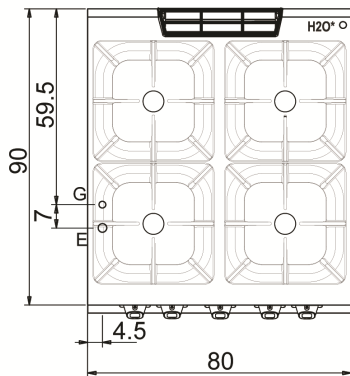
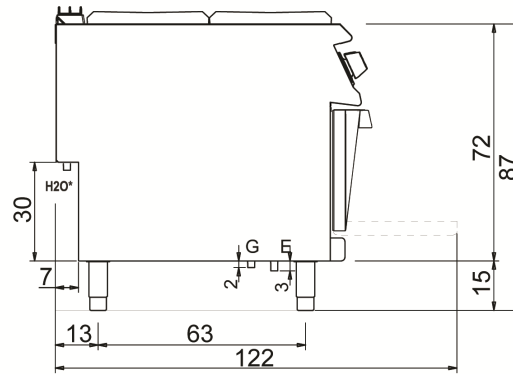
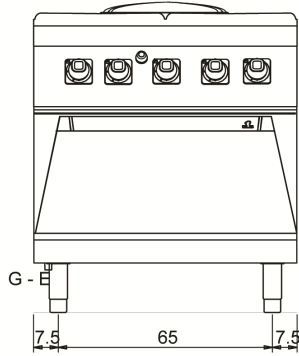
Model	D94/10CGG
Width (mm)	800,00
Depth (mm)	900,00
Height (mm)	840,00
VOLUME	1,10
WEIGHT	180,00
SUPPLY	GAS
Gas power	29.7
Electric power	
Internal ovens dimension	575x700x300h
OVEN CAPACITY	GN2/1
Plate dimensions (mm)	
TANK DIMENSIONS	
Tank capacity (l)	

GAS RANGES

Model
D94/10CGG

Code
CR0995149

D94/10 CGG



KEY

- E power supply
- G gas connection
- H2O water inlet
- S water outlet

Connection	Power	Diameter	Supply
Gas connecton	29.7	1/2"	
Electric connecton			
Cold water connecton			
Hot water connecton			
Cold soft water connecton			
Drain (∅)			
2° Drain (∅)			