



*we*innovate cooking

# KITCHENS DIAMANTE 90

## EL.SOLID TOP RANGES

Model

D94/10CTEE

Code

CR0990469

### General characteristics

- Stainless steel outer coatings and feet.
- Worktops made of 2 mm thick, brushed AISI 304 stainless steel.
- Adjustable worktop height from 840 to 900 mm.
- Contoured control panels with controls tilted towards the operator.
- Large knobs that do not protrude from the machine structure.
- Range modularity: 200-400-600-800-1200.
- Simple and effective coupling system.
- Appliances set up for the plinth.
- Vast accessory range.
- Appliances in compliance with CE standards.

### ELECTRIC SOLID TOP ON ELECTRIC OVEN



### Technical/functional characteristics

Outer casing and feet in stainless steel. Adjustable worktop height, ranging from 840 to 900 mm. Heating for each area is carried out by radiant elements controlled by a safety thermostat. Temperature controlled by thermostat with a range from 50 to 400°C. Electric oven with independently regulated armoured heating elements on oven roof and to the rear. Thermostatically-controlled temperature range from 50 to 300°C. Gas and electric GN 2/1 oven

### Technical Data

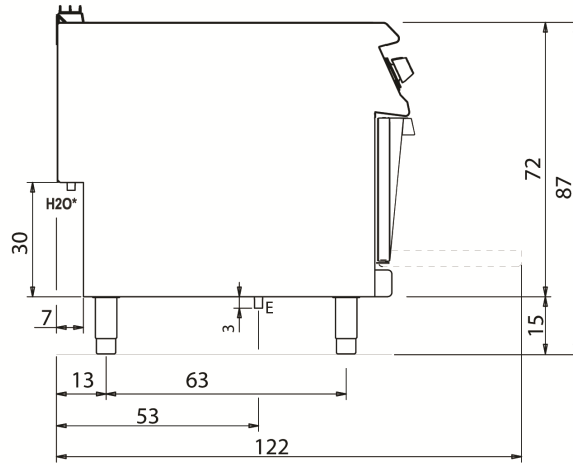
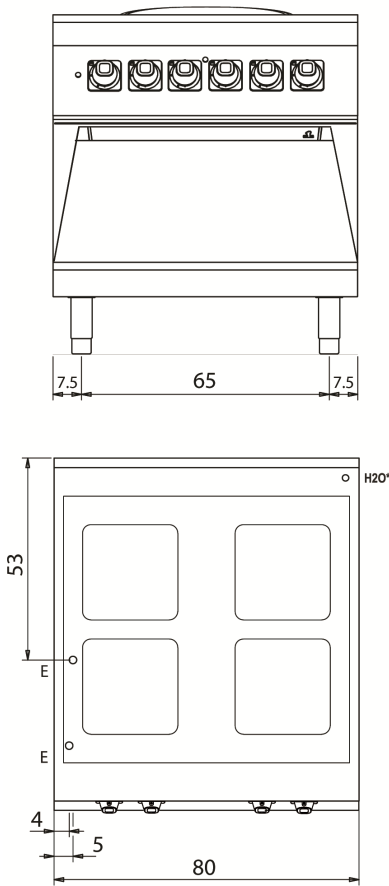
Model	D94/10CTEE
Width (mm)	800,00
Depth (mm)	900,00
Height (mm)	870,00
VOLUME	1,10
WEIGHT	195,00
SUPPLY	EL
Gas power	
Electric power	22
Internal ovens dimension	575x700x300h
OVEN CAPACITY	GN2/1
Plate dimensions (mm)	
TANK DIMENSIONS	
Tank capacity (l)	

### EL.SOLID TOP RANGES

Model  
D94/10CTEE

Code  
CR0990469

#### D94/10 CTEE



#### KEY

- E power supply
- G gas connection
- H20 water inlet
- S water outlet

Connection	Power	Diameter	Supply
Gas connecton			
Electric connecton	22	400	
Cold water connecton			0
Hot water connecton			
Cold soft water connecton			
Drain (∅)			
2° Drain (∅)			