



*we*innovate cooking

## KITCHENS DIAMANTE 90

### BOILING PANS

Model

D94/10PEI10

Code

CR0991139

#### General characteristics

Stainless steel outer coatings and feet.  
Worktops made of 2 mm thick, brushed AISI 304 stainless steel.  
Adjustable worktop height from 840 to 900 mm.  
Contoured control panels with controls tilted towards the operator.  
Large knobs that do not protrude from the machine structure.  
Range modularity: 200-400-600-800-1200.  
Simple and effective coupling system.  
Appliances set up for the plinth.  
Vast accessory range.  
Appliances in compliance with CE standards.

#### ELECTRIC BOILING PAN 100 LT. INDIRECT HEATING



#### Technical/functional characteristics

Outer casing and feet in stainless steel. Adjustable worktop height, ranging from 840 to 900 mm. Adjustable worktop height, ranging from 840 to 900 mm. AISI 304 stainless steel pan with base in AISI 316 stainless steel. Water loading using the tap and both hot or cold water may be loaded. Front discharge with 2-inch chrome brass taps. Indirect electric model: 2 armoured heater units mounted inside the cavity for heating operations.

#### Technical Data

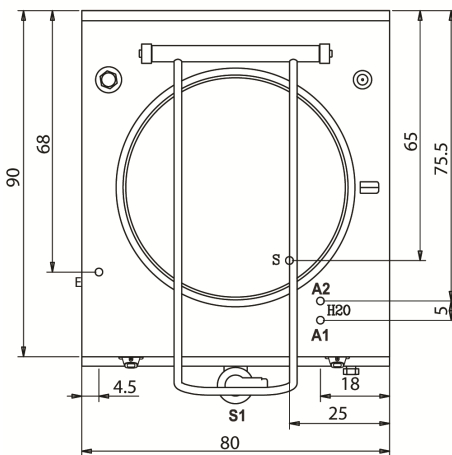
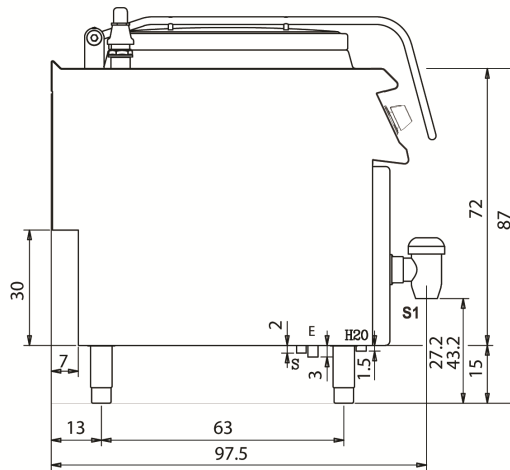
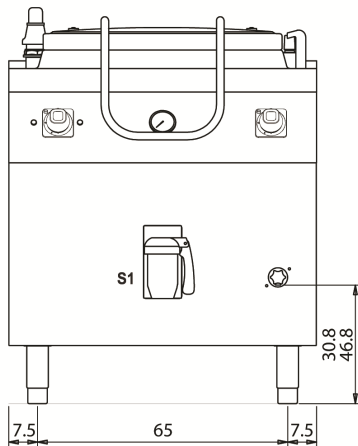
Model	D94/10PEI10
Width (mm)	800,00
Depth (mm)	900,00
Height (mm)	870,00
VOLUME	1,30
WEIGHT	167,00
SUPPLY	EL
Gas power	
Electric power	21
Internal ovens dimension	
OVEN CAPACITY	
Plate dimensions (mm)	
TANK DIMENSIONS	Ø=600
Tank capacity (l)	100Lt.

### BOILING PANS

Model  
D94/10PEI10

Code  
CR0991139

**D94/10 PEI10**



#### KEY

- E power supply
- G gas connection
- H2O water inlet
- S water outlet

Supply

Gas connecton			
Electric connecton	21	400	
Cold water connecton		3/4"	0
Hot water connecton		3/4"	
Cold soft water connecton			
Drain (∅)		2"	
2° Drain (∅)			