



*we*innovate cooking

# KITCHENS

## 650 SERIE

### ELECTRIC GRIDDLE PLATES

Model

OFT610EMC

Code

CR0853699

#### General characteristics

The SNACK 650 range by OLIS has been created with a distinctive design for all its equipment, both in the top and single-unit version, with large knobs and an ergonomic shape for the control panels. The wide selection of machines and their high performance make this range the ideal choice for rooms with a limited amount of space that still need efficient machines. The range's modularity allows for endless combinations with installations placed on cabinet bases or tables.

#### ELECTRIC GRIDDLE PLATE - CHROMIUM PLATE 1/3 GROOVED AND 2/3 SMOOTH PLATE



#### Technical/functional characteristics

The plates are heated by high-power electric heating elements, so as to guarantee that the temperature will rise rapidly and maintain the preselected values. The temperature can be adjusted from 0 to 300°C in the electric ones. The plates are equipped with splash guards so that the hob can be kept perfectly clean and hygienic. The work surface is slightly sloped so as to send sauces, grease and dressings into the capacious drip tray designed for this purpose. Model equipped with thermostatic temperature control, a safety thermostat and power lights.

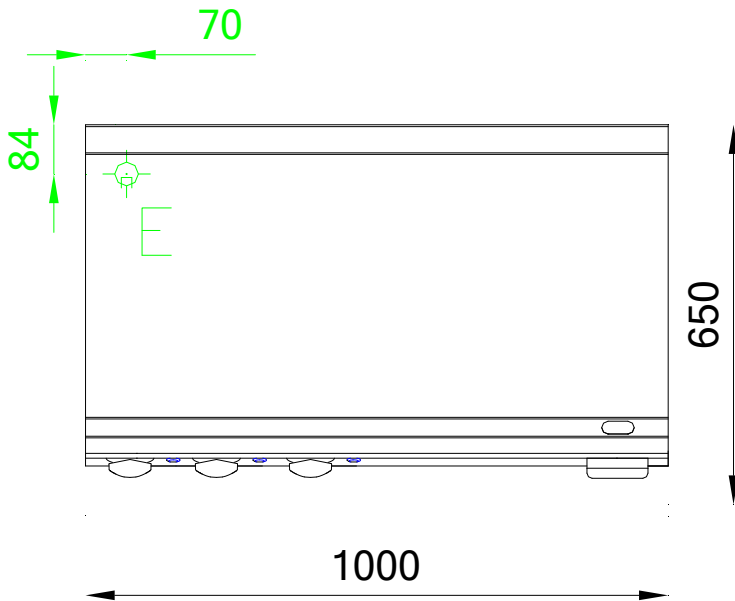
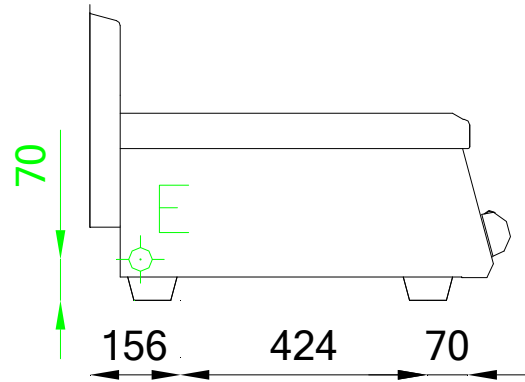
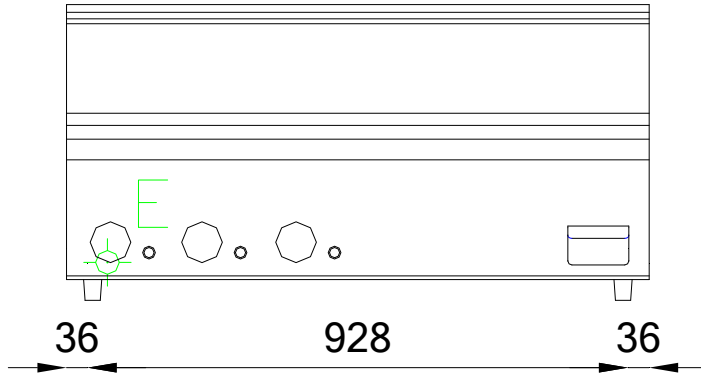
#### Technical Data

Model	OFT610EMC
Width (mm)	1.000,00
Depth (mm)	650,00
Height (mm)	295,00
VOLUME	0,25
WEIGHT	67,00
SUPPLY	EL
Gas power	
Electric power	11.7
Internal ovens dimension	
OVEN CAPACITY	
Plate dimensions (mm)	996x555
TANK DIMENSIONS	
Tank capacity (l)	

### ELECTRIC GRIDDLE PLATES

Model  
OFT610EMC

Code  
CR0853699



KEY
E power supply
G gas connection
H2O water inlet
S water outlet

Connection	Power	Diameter	Supply
Gas connecton			
Electric connecton	11.7	400	
Cold water connecton			0
Hot water connecton			
Cold soft water connecton			
Drain (∅)			
2° Drain (∅)			