



*we*innovate cooking

KITCHENS DIAMANTE 70

ELECTRIC RANGES

Model

D74/10CEPT

Code

CR0993799

General characteristics

- Stainless steel outer coatings and feet.
- Worktops made of 1,5 mm thick, brushed AISI 304 stainless steel.
- Adjustable worktop height from 840 to 900 mm.
- Contoured control panels with controls tilted towards the operator.
- Large knobs that do not protrude from the machine structure.
- Range modularity: 200-400-600-800-1200.
- Simple and effective coupling system.
- Appliances set up for the plinth.
- Vast accessory range.
- Appliances in compliance with CE standards.

4-ROUND-HOTPLATE ELECTRIC RANGE ON ELECTRIC OVEN



Technical/functional characteristics

- Outer casing and feet in stainless steel.
- Adjustable worktop height, ranging from 840 to 900 mm.
- Shaped cooker control panel with knobs slanted towards the operator.
- Round plates version 220mm diameter and 2.6 kW.
- Electric oven with independently regulated armoured heating elements on oven roof and to the rear.
- Thermostatically-controlled temperature range from 50 to 300°C.
- GN 2/1 oven.

Technical Data

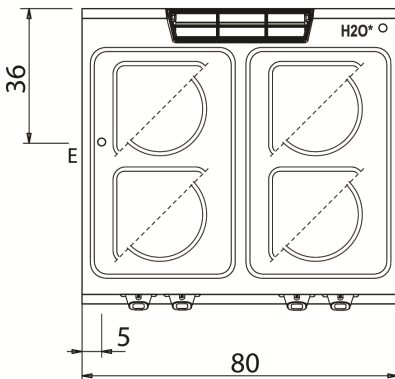
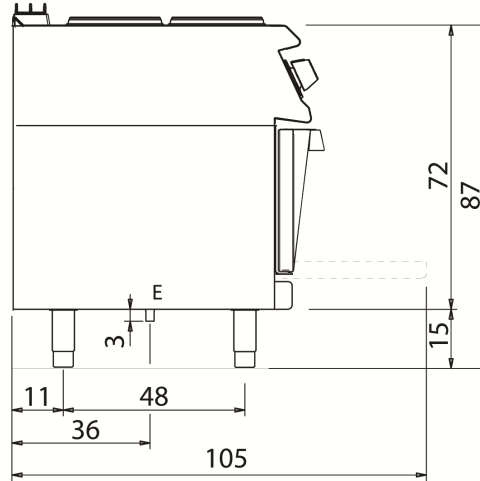
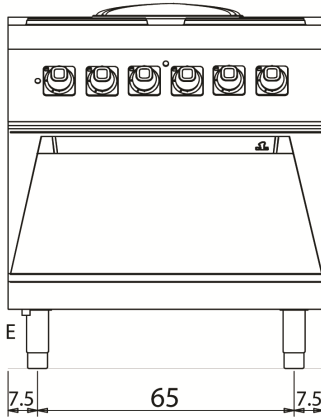
Model	D74/10CEPT
Width (mm)	800,00
Depth (mm)	730,00
Height (mm)	870,00
VOLUME	0,40
WEIGHT	140,00
SUPPLY	
Gas power	
Electric power	16.4
Internal ovens dimension	
OVEN CAPACITY	
Plate dimensions (mm)	
TANK DIMENSIONS	
Tank capacity (l)	

ELECTRIC RANGES

Model
D74/10CEEPT

Code
CR0993799

D74/10 CEEPT



KEY

- E power supply
- G gas connection
- H2O water inlet
- S water outlet

Connection	Power	Diameter	Supply
Gas connecton			
Electric connecton	16.4	400	
Cold water connecton			0
Hot water connecton			
Cold soft water connecton			
Drain (∅)			
2° Drain (∅)			