



*we*innovate cooking

KITCHENS DIAMANTE 90

BOILING PANS

Model

D93/10PGI05

Code

CR0991059

General characteristics

Stainless steel outer coatings and feet.
Worktops made of 2 mm thick, brushed AISI 304 stainless steel.
Adjustable worktop height from 840 to 900 mm.
Contoured control panels with controls tilted towards the operator.
Large knobs that do not protrude from the machine structure.
Range modularity: 200-400-600-800-1200.
Simple and effective coupling system.
Appliances set up for the plinth.
Vast accessory range.
Appliances in compliance with CE standards.

GAS BOILING PAN 50 LT. INDIRECT HEATING



Technical/functional characteristics

Outer casing and feet in stainless steel. Adjustable worktop height, ranging from 840 to 900 mm. Adjustable worktop height, ranging from 840 to 900 mm. AISI 304 stainless steel pan with base in AISI 316 stainless steel. Water loading using the tap and both hot or cold water may be loaded. Front discharge with 2-inch chrome brass taps. Gas model: 2 AISI 304 stainless steel burners positioned on the base of the appliance (for direct heating operations) or in the cavity (for indirect heating operations).

Technical Data

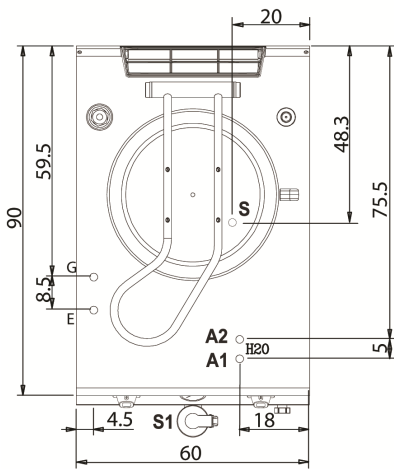
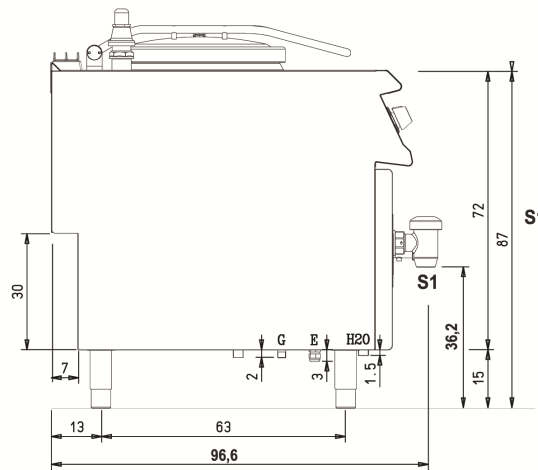
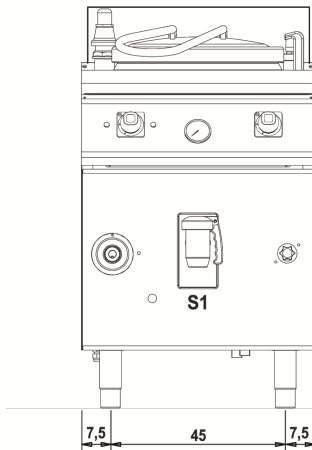
| | |
|--------------------------|-------------|
| Model | D93/10PGI05 |
| Width (mm) | 600,00 |
| Depth (mm) | 900,00 |
| Height (mm) | 870,00 |
| VOLUME | 1,10 |
| WEIGHT | 133,00 |
| SUPPLY | GAS-EL |
| Gas power | 10.5 |
| Electric power | 0.3 |
| Internal ovens dimension | |
| OVEN CAPACITY | |
| Plate dimensions (mm) | |
| TANK DIMENSIONS | Ø=400 |
| Tank capacity (l) | 50Lt. |

BOILING PANS

Model
D93/10PGI05

Code
CR0991059

D93/10 PGI05



KEY

- E power supply
- G gas connection
- H2O water inlet
- S water outlet

Supply

| | | | |
|---------------------------|------|--------|---|
| Gas connecton | 10.5 | 1/2" | |
| Electric connecton | 0.3 | 230 | |
| Cold water connecton | | 3/4" | 0 |
| Hot water connecton | | 3/4" | |
| Cold soft water connecton | | | |
| Drain (∅) | | 1 1/2" | |
| 2° Drain (∅) | | | |