



*we*innovate cooking

# KITCHENS DIAMANTE 90

## ELECTRIC RANGES

Model

D94/10TCEPQ

Code

CR0995629

### General characteristics

- Stainless steel outer coatings and feet.
- Worktops made of 2 mm thick, brushed AISI 304 stainless steel.
- Adjustable worktop height from 840 to 900 mm.
- Contoured control panels with controls tilted towards the operator.
- Large knobs that do not protrude from the machine structure.
- Range modularity: 200-400-600-800-1200.
- Simple and effective coupling system.
- Appliances set up for the plinth.
- Vast accessory range.
- Appliances in compliance with CE standards.

### 4-SQUARE-HOTPLATE ELECTRIC RANGE



### Technical/functional characteristics

- Outer casing and feet in stainless steel.
- Adjustable worktop height, ranging from 840 to 900 mm.
- Shaped cooker control panel with knobs slanted towards the operator. .
- Square plate version 220x220 and 2.6 kW.
- 7-position selector switch to adjust and regulate heating.

### Technical Data

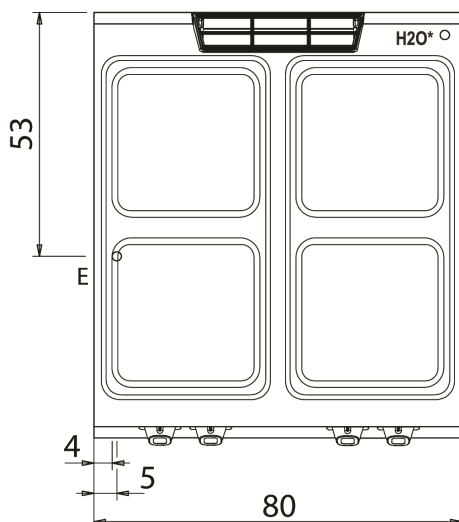
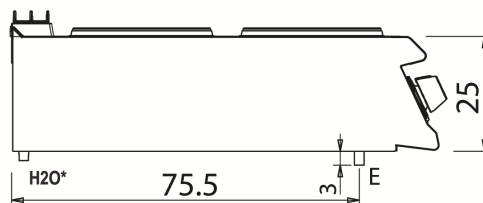
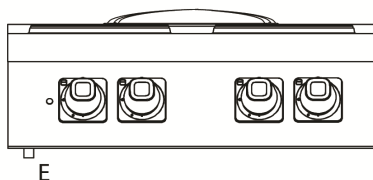
Model	D94/10TCEPQ
Width (mm)	800,00
Depth (mm)	900,00
Height (mm)	250,00
VOLUME	0,40
WEIGHT	59,00
SUPPLY	EL
Gas power	
Electric power	16
Internal ovens dimension	
OVEN CAPACITY	
Plate dimensions (mm)	
TANK DIMENSIONS	
Tank capacity (l)	

### ELECTRIC RANGES

Model  
D94/10TCEPQ

Code  
CR0995629

### D94/10 TCEPQ



#### KEY

- E power supply
- G gas connection
- H20 water inlet
- S water outlet

Connection	Power	Diameter	Supply
Gas connecton			
Electric connecton	16	400	
Cold water connecton			0
Hot water connecton			
Cold soft water connecton			
Drain (Ø)			
2° Drain (Ø)			