



*we*innovate cooking

KITCHENS DIAMANTE 70

PASTA-COOKER

Model

D72/10CPG

Code

CR0990019

General characteristics

- Stainless steel outer coatings and feet.
- Worktops made of 1,5 mm thick, brushed AISI 304 stainless steel.
- Adjustable worktop height from 840 to 900 mm.
- Contoured control panels with controls tilted towards the operator.
- Large knobs that do not protrude from the machine structure.
- Range modularity: 200-400-600-800-1200.
- Simple and effective coupling system.
- Appliances set up for the plinth.
- Vast accessory range.
- Appliances in compliance with CE standards.

1-BASIN GAS PASTA-COOKER 28LTS.



Technical/functional characteristics

- Outer casing and feet in stainless steel.
- Adjustable worktop height, ranging from 840 to 900 mm.
- Moulded AISI 316 stainless steel pan with rounded edges to guarantee maximum corrosion resistance.
- Electrovalve-controlled fast or slow water loading operations.
- Stainless steel water dispenser and water discharge unit at ground level.
- Safety manostat to avoid heating operations when no water in bowl.
- Stainless steel burner mounted on the outside of the bowl for heating operations.
- Gas safety valve with thermocouple, and electric ignition.

Technical Data

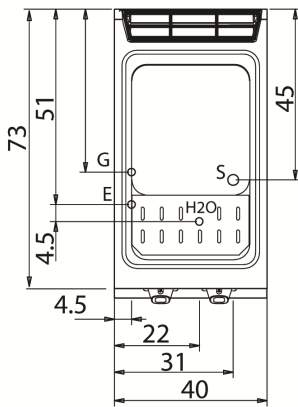
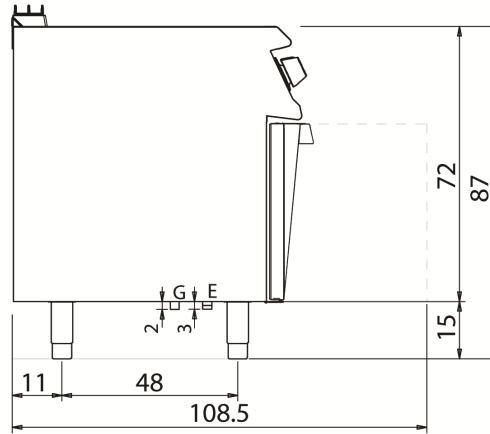
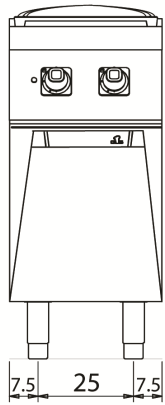
Model	D72/10CPG
Width (mm)	400,00
Depth (mm)	730,00
Height (mm)	870,00
VOLUME	0,43
WEIGHT	71,00
SUPPLY	
Gas power	10.5
Electric power	0.1
Internal ovens dimension	
OVEN CAPACITY	
Plate dimensions (mm)	
TANK DIMENSIONS	
Tank capacity (l)	

PASTA-COOKER

Model
D72/10CPG

Code
CR0990019

D72/10 CPG



KEY

- E power supply
- G gas connection
- H2O water inlet
- S water outlet

Connection	Power	Diameter	Supply
Gas connecton	10.5	1/2"	
Electric connecton	0.1	230	
Cold water connecton		3/4"	0
Hot water connecton			
Cold soft water connecton			
Drain (∅)		1"	
2° Drain (∅)			