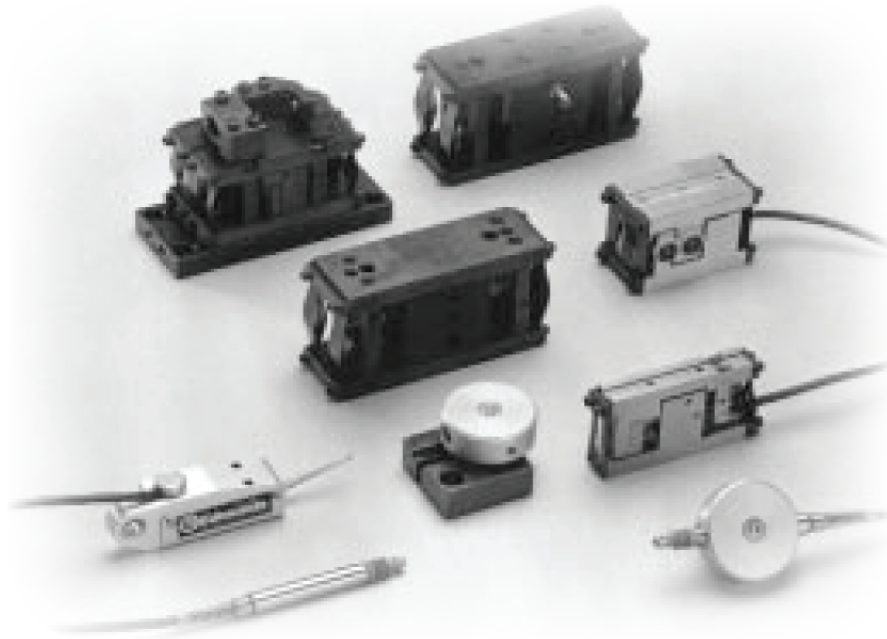




ACCESSORIES

Gage Probes, Adaptors and Floats

ACCESSORIES



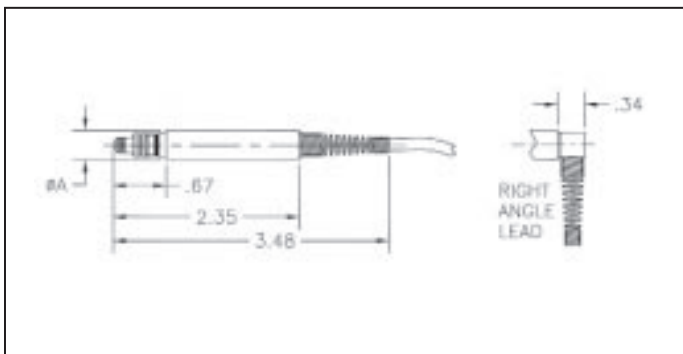
Durable, reliable LVDT gage probes

Our gage probes are designed for use with Edmunds' Trendsetter™, Accu-Setter™ columns, and CAGQCM gaging computers. These Linear Variable Differential Transformer (LVDT) gage probes operate with two, small electrical transformers which share a single core. When the core is centrally located between the two coils, the output is balanced or zeroed. When the core is physically displaced, the output of the two coils becomes unequal, with one coil increasing in output and the other decreasing. The measure of the core's movement is then recorded by these unequal outputs to represent true linear displacement or changes in size. Packaged in what is commonly known as cartridge or pencil configurations, Edmunds Gages' probes are available in several configurations:

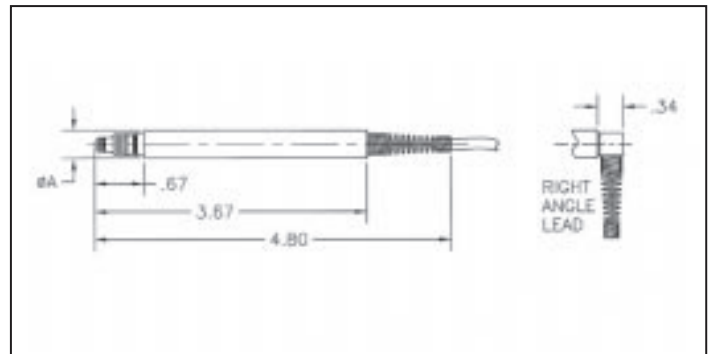


15144B

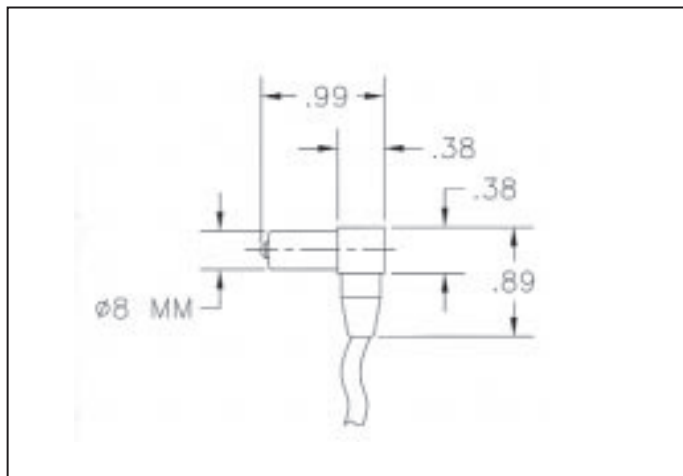
LVDT NORMAL-ACTING CARTRIDGE TYPE



- 3/8" diameter, .080" range, 4 foot cable 15144B-38-4
- 3/8" diameter, .080" range, 8 foot cable 15144B-38-8
- 8mm diameter, .080" range, 4 foot cable 15144B-8-4
- 8mm diameter, .080" range, 8 foot cable 15144B-8-8



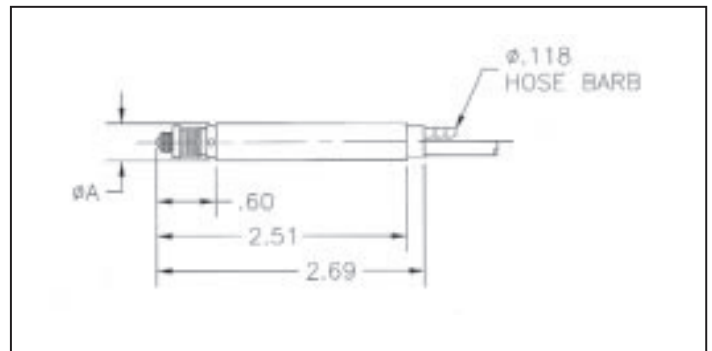
- 3/8" diameter, .200" range, 4 foot cable 15145B-38-4
- 3/8" diameter, .200" range, 8 foot cable 15145B-38-8
- 8mm diameter, .200" range, 4 foot cable 15145B-8-4
- 8mm diameter, .200" range, 8 foot cable 15145B-8-8



- 8mm right angle, .020" range, 4 foot cable 15141-8-4

All Dimensions @ Electrical Zero

LVDT PNEUMATIC-PUSH CARTRIDGE TYPE

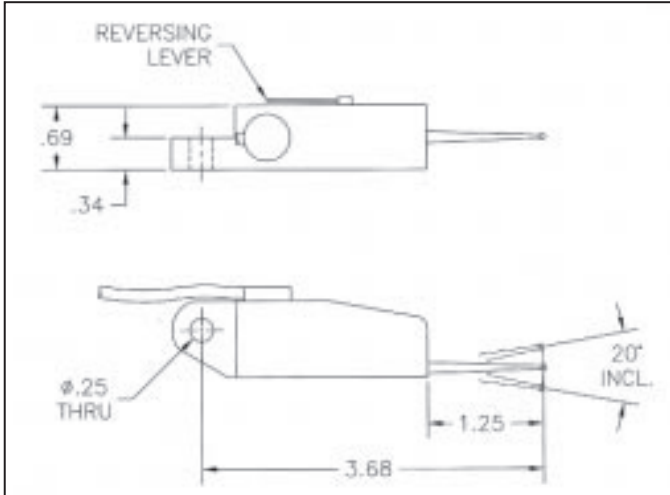


- 3/8" dia., .080" range, 8' cable, 4-48 thread 15144C-38-8-PE
- 3/8" dia., .080" range, 8' cable, 2.5mm thread 15144C-38-8-PM
- 8mm dia., .080" range, 8' cable, 4-48 thread 15144C-8-8-PE
- 8mm dia., .080" range, 8' cable, 2.5mm thread 15144C-8-8-PM

LVDT CARTRIDGE TYPE ACCESSORIES

Spanner wrench for pretravel adjustment	15149	3/8" diameter split sleeve (for 15141)	5312145
Replacement contact tip	15146	Right angle cord grip (for 15144B/15145B)	RA
3/8" diameter split sleeve (for 15144B)	5900160	Extension cable, 4 foot	BE22795
3/8" diameter split sleeve (for 15145B)	5900161		

LVDT LEVER TYPE



Dual-direction $\pm .007$ " range with .062" tip 5311040

5311040

Replacement Tips

.031" diameter tip	5311026
.062" diameter tip	5311023
.125" diameter tip	5311022

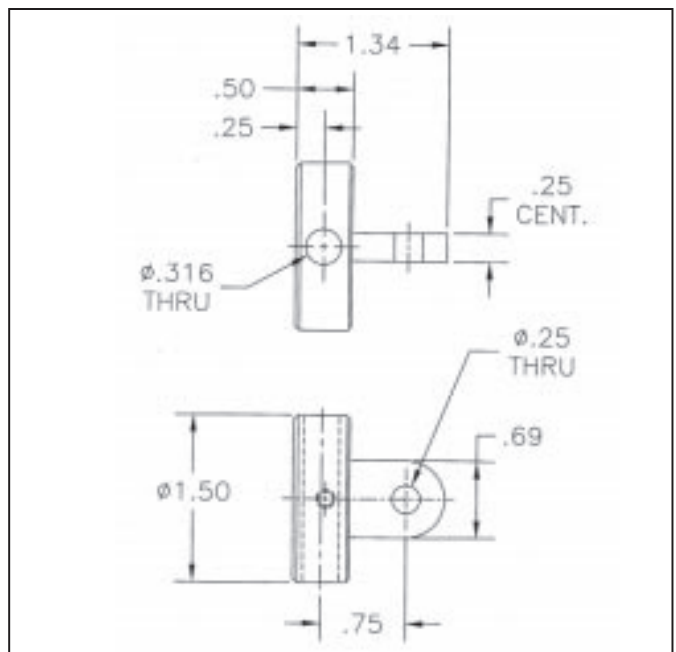
8mm Cartridge Probe Mounting Adaptors for Easy Upgrading

Dial indicator fixtures can be easily upgraded to electronic analog or digital amplification and readout with our mounting adaptors. There's no need to modify or redesign the existing fixture. Six different mounting arrangements can be configured. They fit directly in place of any size 1 or 2, AGD indicator.

CENTER LUG TYPE

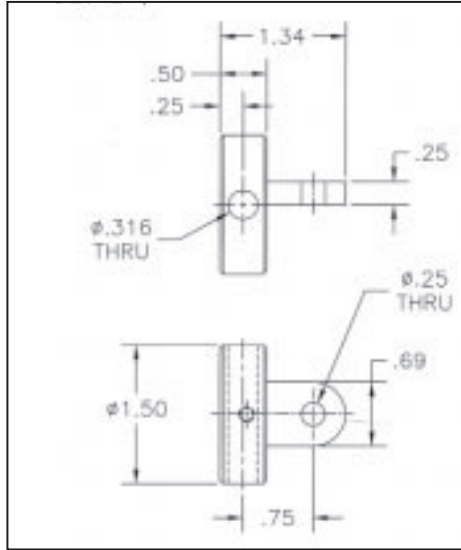


5312000



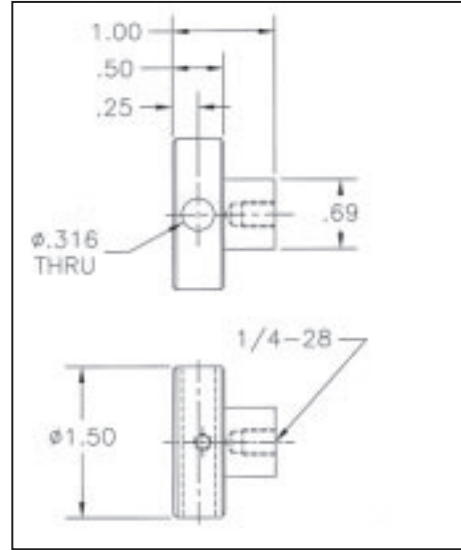
5312000

OFFSET LUG TYPE



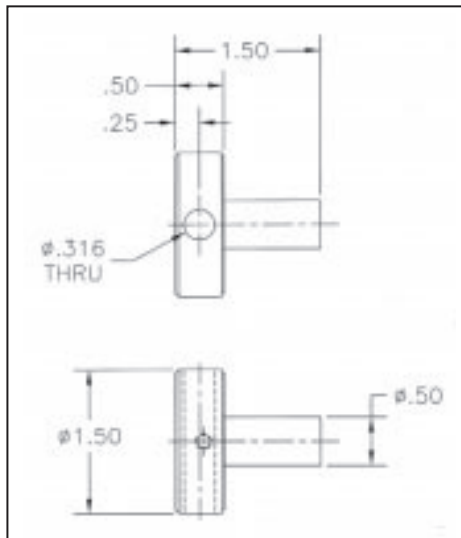
5312001

SCREW TYPE



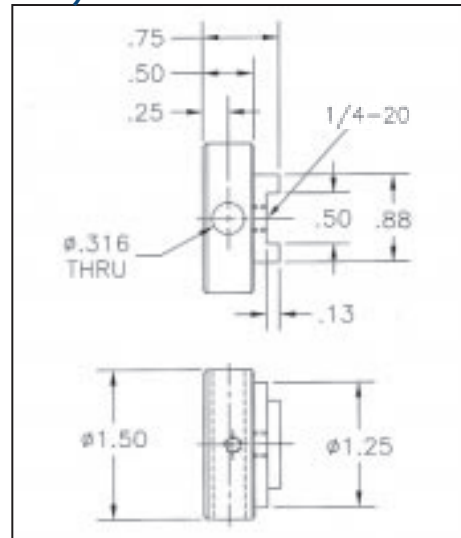
5312002

POST TYPE



5312003

ADJUSTABLE TYPE

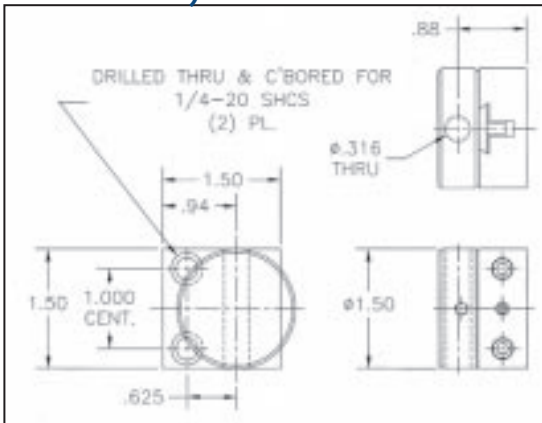


5312004



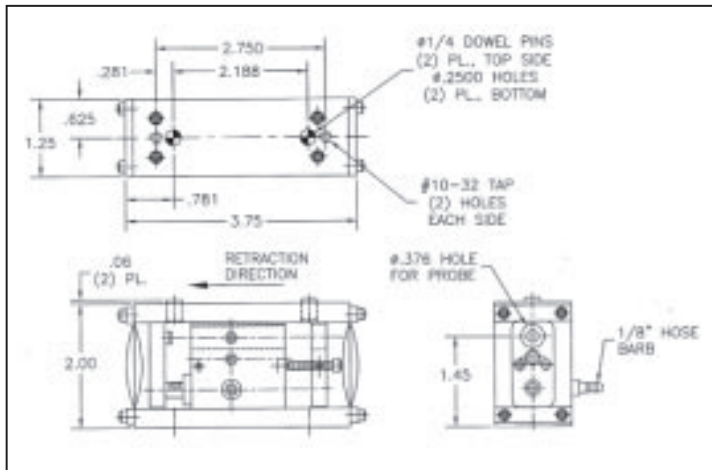
5312005

RACK ADJUSTABLE TYPE

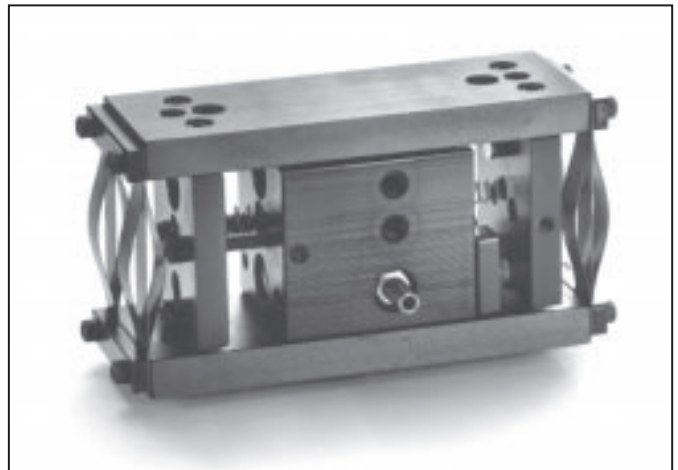


5312005

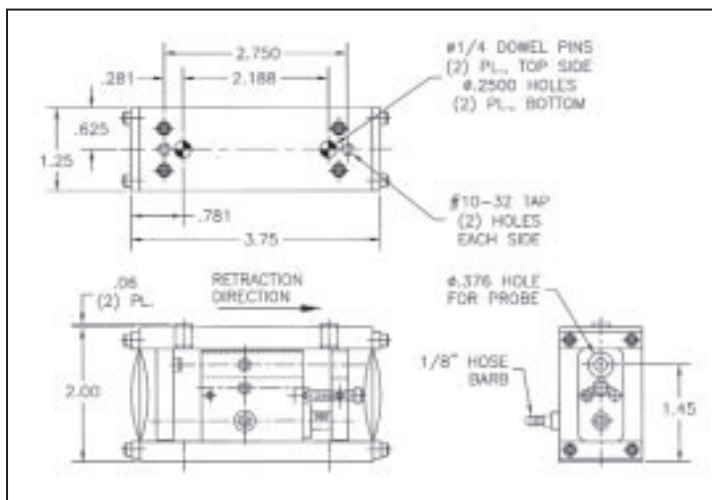
Frictionless Reed Floats



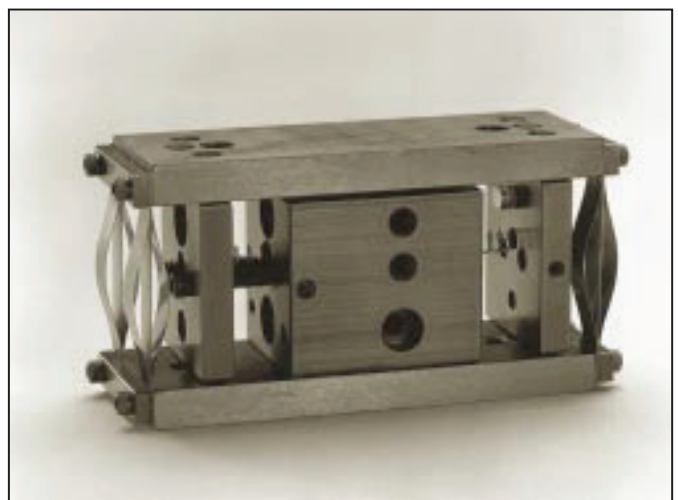
Forward normal spring, air retract for cartridge probe 5312023
 Forward heavy spring, air retract for cartridge probe 5312024



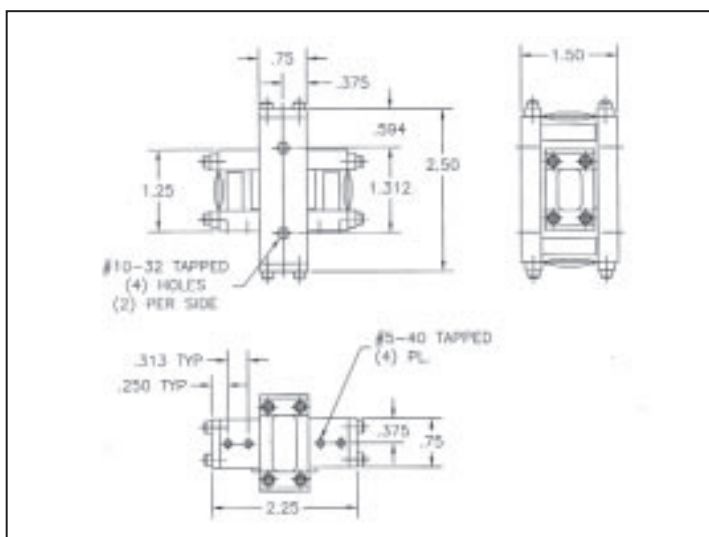
5312023



Reverse, normal spring air retract for cartridge probe 5312090

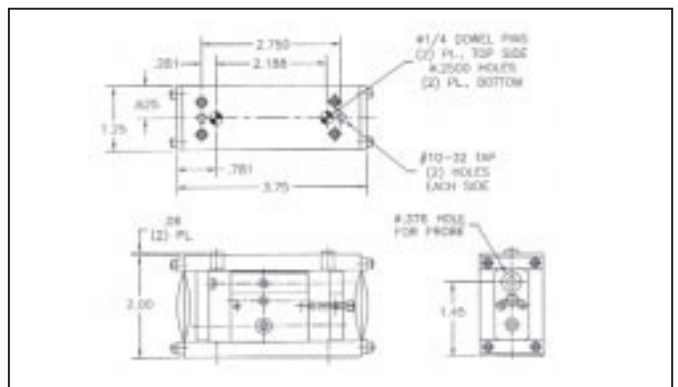


5312090



X-Y combination package for cartridge probe 5312070

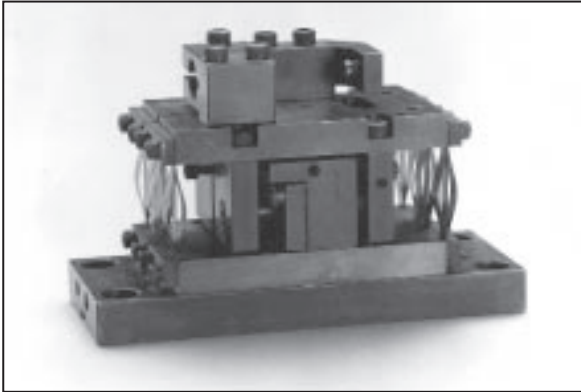
Edmunds Gages Reed Floats are frictionless, motion-transfer devices for use in our custom gages, ranging from manual fixture gages to fully automatic computerized systems. Several are designed for use with separate, gage probes. Others have the gage probe built in. We offer a variety of sizes and styles to suit your applications:



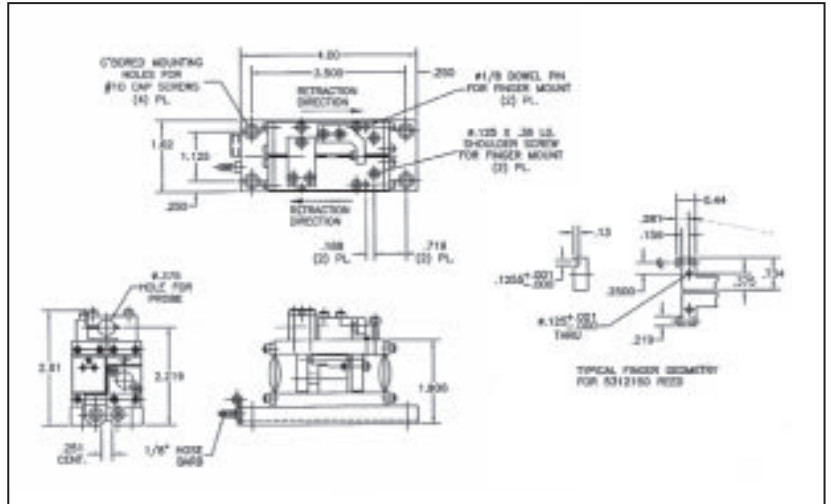
Forward, normal spring for cartridge probe 5312010
 Forward, heavy spring for cartridge probe 5312011

All Dimensions @ Electrical Zero

Frictionless Reed Floats



5312150

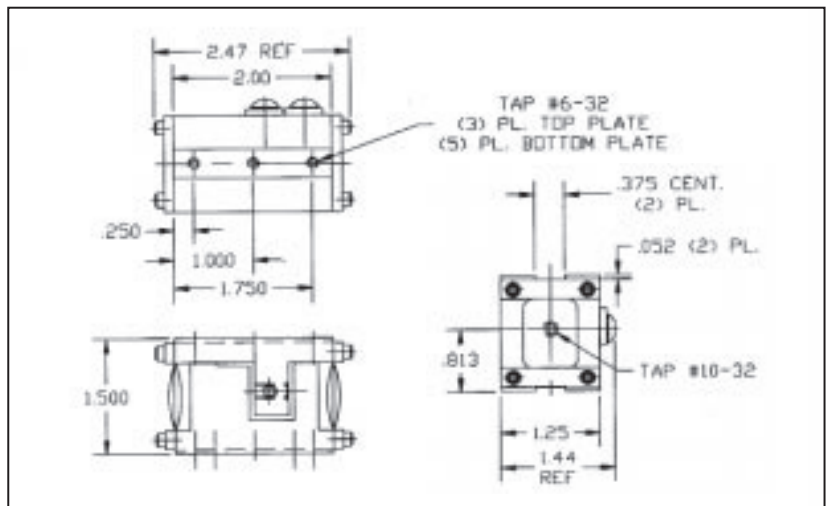


Thin mount caliper package for cartridge probe

5312150

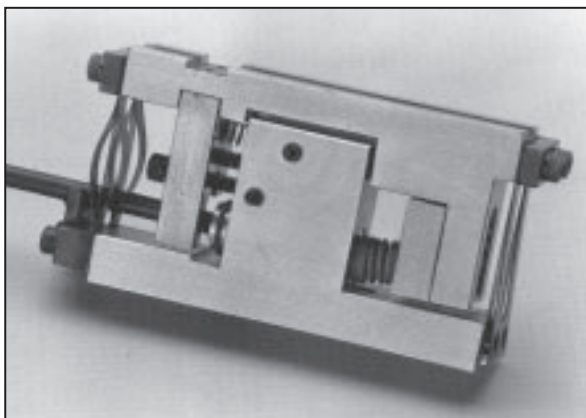


5010100

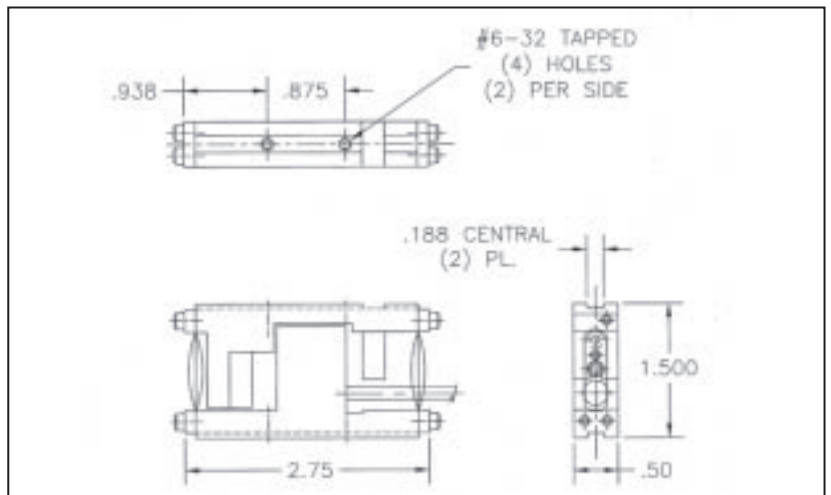


Aluminum with integral LVDT gage probe

5010100



5312210



1/2" wide with integral LVDT gage probe

5312210



45 Spring Lane
Farmington, CT USA 06032
TEL (860) 677-2813
FAX (860) 677-4243
www.edmundsgages.com