

RNCV-401, 1501L, 1501L-BB

EXTRA LARGE TABLE • POWERFUL HYDRAULIC CLAMPING

The RNCV-Series Big Bore rotary tables feature powerful hydraulic clamping and are available with options including scales, rotary joints, air/hydraulic boosters, and various motor mounting positions.

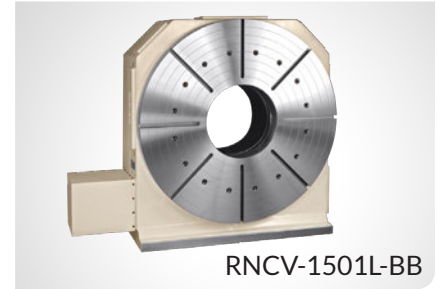
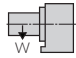
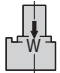
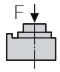
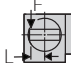
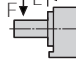


Table Model		RNCV-401	RNCV -1501L	RNCV-1501L-BB
Versions available		R,L	L	L
Table diameter	mm	400	1,500	1,000
Center height	mm	255	950	650
Center bore	Nose Diameter	40H7	75H7	Custom
	Thru Diameter	40	-	Custom
Table T-slot width		14h7	28H7	22H7
Guide block width		18h7	28h7	22h7
Servo motor (Fanuc)*		Alpha 12i	Alpha 22i	Alpha 22i
Maximum motor speed	rpm	4,000	3,000	3,000
Speed reduction ratio		1/180	1/720	1/360
Maximum table speed	rpm	22.2	4.17	8.33
Inertia converted into motor shaft	$\times 10^{-3} \text{kg}\cdot\text{m}^2$	2.05	12.8	12.8
Clamp system**		Hydraulic	Hydraulic	Hydraulic
Clamp torque @500psi	Nm (ft. lbs.)	1,764 (1,300)	17,650 (13,008)	5,390 (3,972)
Indexing accuracy	arc sec.	± 7.5	± 7.5	± 7.5
Net Weight	kg (lbs.)	300 (660)	7,000 (15,400)	2,700 (5,940)
Allowable wheel torque	Nm (ft. lbs.)	1,666 (1,128)	21,560 (15,889)	13,230 (9,750)
Allowable work inertia	$\text{kg}\cdot\text{m}^2$	9.7	2,255	392
Allowable work weight	 kg (lbs) [w/ tailstock]	200 (440) [500 (1,100)]	8,500 (17,000) [18,700 (24,200)]	8,500 (17,000) [18,700 (24,200)]
	 kg (lbs)	500 (1,100)	17,000 (37,400)	17,000 (37,400)
Allowable load when table clamped	 N (lbf)	39,200 (8,781)	265,000 (59,360)	265,000 (59,360)
	 Nm (ft. lbs.)	1,764 (1,300)	17,650 (13,008)	17,650 (13,008)
	 Nm (ft. lbs.)	2,450 (1,806)	46,800 (34,491)	46,800 (34,491)

* Other motors & RPM available

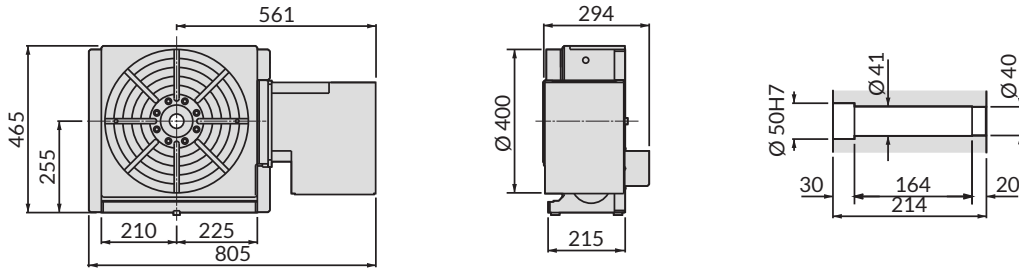
** Booster optional

Specifications subject to change without notice

Dimensions

Drawings not to scale • Dimensions = mm

RNCV-401R

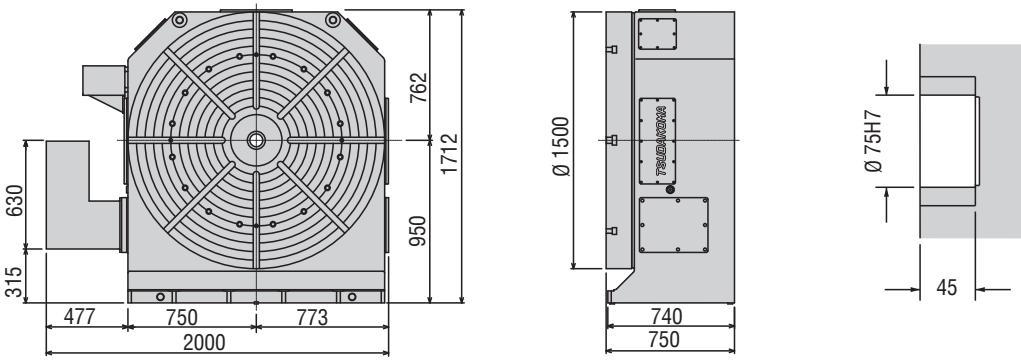


RNCV- 1201L-BB

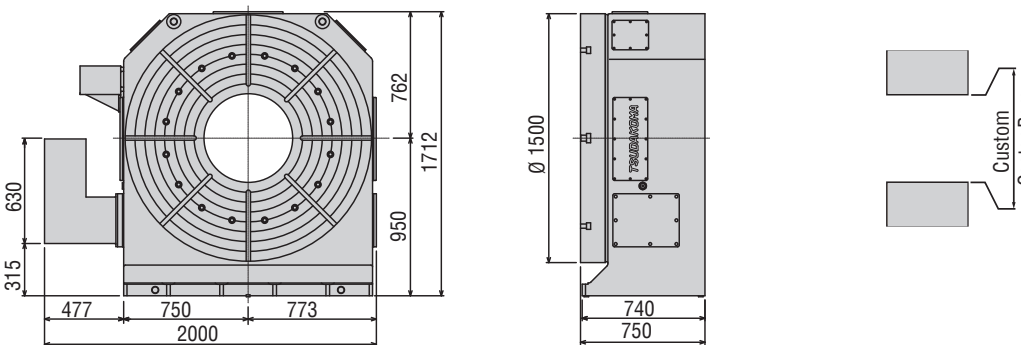
Scale Installation



RNCV-1501L-BB



RNCV-1501L-BB



Options & Accessories

TPC NC Controller	p.68
Chucks	p.79
Tailstock	p.81
Support Spindle	p.81
Face Plate	p.83
Encoder / Scale	p.84
Pull Stud Device	p.85
Rotary Joint	p.85
PVC or Steel Cables	p.86

The dimensions above are for tables with a FANUC servo motor. Other motors available (dimensions may increase).

Clamping Block and Bolt

Dimensions = mm

	Type	Q'ty	T-Slot Width	A	B	C	D	E	F	G	H	I	J	K	L	M
RNCV-1501L	IV	8	28	70	35	95	29	16	50	112	15	17.5	160	100	41.3	24
RNCV-1501L-BB	IV	8	28	70	35	95	29	16	50	112	15	17.5	160	100	41.3	24

Note: When using a machine with a T-slot pitch other than the above, use suitable clamping blocks and bolts that are available on the market, or order custom-made ones from KOMA (opt.)

Type IV

