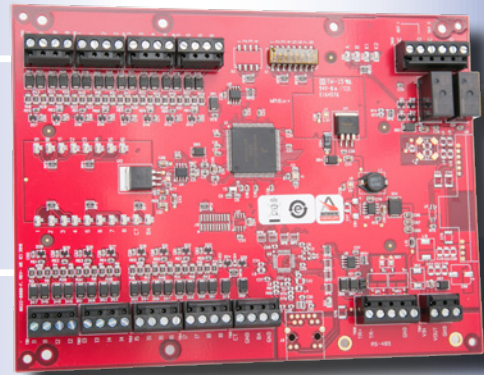


HID[®] Mercury[™] MR16IN-S3 Controller



FEATURES

- 16 programmable inputs; 2 programmable relay outputs
- AES 128/256 bit data encryption
- UL 294 recognized, CE compliant, FCC, RoHS
- Configurable input parameters
- Initiates commands by operator, by time schedules, or by events
- Allows for easy and compact clustering of up to 16 uniquely monitored devices
- RS-485 host connectivity

SERIAL I/O 16-INPUT INTERFACE PANEL

- **Open Architecture** - High performance, reliable platform enables use of hardware with HID Mercury OEM partners software solutions
- **Easy Expansion** - Adds functionality and flexibility to existing access control systems
- **Enhanced Security** - Embedded crypto memory chip provides secured layer of encryption to protect sensitive data
- **Versatile Interoperability** - Same reliable interface and identical footprint as Series 2 HID Mercury IO modules, enabling seamless upgrades for existing deployments

The new HID Mercury MR Series 3 Serial Input/Output (SIO) modules enable system expansion of HID Mercury intelligent controllers as part of HID Mercury's distributed architecture. The enhanced modules offer an improved processor and increased memory, plus feature an embedded crypto memory chip that provides a secured layer of encryption to onboard sensitive data. Built on the HID Mercury open platform, Series 3 modules provide the necessary flexibility for OEMs, channel partners and end customers to choose the controller configuration that best fits their needs.

The MR16IN can be used for a variety of applications, including status annunciation and alarm monitoring applications such as lighting, heating/cooling, door and elevator control. Devices can also be activated by the condition of selected system devices, either locally or regionally, without host intervention.

The panel is dedicated to point control and monitoring, enabling OEMs to support 16 general-purpose input circuits. The circuits can be individually set for sensitivity ranges, timing parameters (normally-open

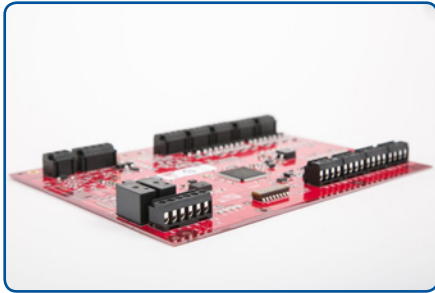
or normally-closed operations) and end-of-line resistance values. They can also be declared supervised and non-supervised. Two programmable relay outputs are configurable for fail-safe or fail-secure operation, supporting "On," "Off," "Pulse" and "Repeating Pulse" commands.

The MR16IN Series 3 is the latest generation door interface module for HID Mercury intelligent controllers, the platform of choice for customers seeking open architecture access control solutions.

Application Notes

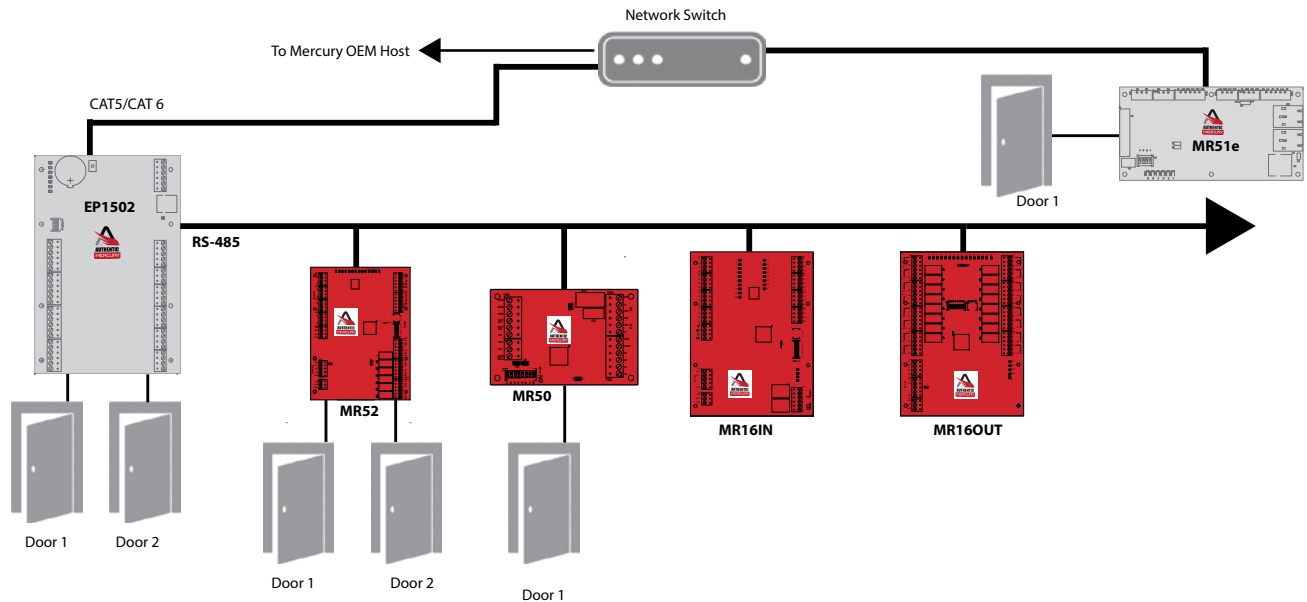
The HID Mercury MR16IN is an essential component that supports Mercury's flexible, building-block approach to access control system design. The MR16IN provides the capacity to link, control and respond to an array of sensors. With its RS-485 connectivity, the MR16IN can be clustered or distributed to best suit each installation environment.

SPECIFICATIONS



Primary Power	12-24 VDC +/- 10%, 350mA maximum
Host Communication	RS-485, 2-wire, 4,000' (twisted pair with shield, Belden 9841)
Inputs	16 General Purpose: Programmable circuit type 2 Dedicated: Tamper and Power Monitor
Output Relays	Two Form-C Relays: Normally open contact (NO): 5A @ 30 VDC resistive Normally closed contact (NC): 3A @ 30 VDC resistive
Dimensions	6.0" W x 8.0" L x 1.0" H (152mm W x 203mm L x 25mm H)
Temperature	Storage: -55° - 85° C Operational: 0° - 70° C
Humidity	5 to 95% RHNC
Product Compliance	UL294 Recognized ¹ , FCC Part 15 Class A, CE Compliant, RoHS (2011/65/EU & 2015/863), EU REACH (1907/2006), California Proposition 65, NIST Certified Encryption

¹ For UL, the Power Sourcing Equipment (PSE) such as a PoE or PoE+ enabled network switch and or PoE or PoE+ power injectors must be UL Listed under UL294B



hidglobal.com

North America: +1 512 776 9000

Toll Free: 1 800 237 7769

Europe, Middle East, Africa: +44 1440 714 850

Asia Pacific: +852 3160 9800

Latin America: +52 55 5081 1650

© 2019 HID Global Corporation/ASSA ABLOY AB. All rights reserved. HID, HID Global, the HID Blue Brick logo, the Chain Design and HID Mercury are trademarks or registered trademarks of HID Global or its licensor(s)/supplier(s) in the US and other countries and may not be used without permission. All other trademarks, service marks, and product or service names are trademarks or registered trademarks of their respective owners.

2019-09-05-hid-pacs-mercury-mr16in-series-3-reader-interface-ds-en PLT-04703